

**SYLVANIA**



# Lamps Catalogue

2020 : Issue 1



**Light your world**































## A century of expertise

For over 100 years Sylvania has been an innovative leader in lamp technology. The company was first to establish mass production of fluorescent lamps and invented the first dichroic reflector. We continue to invest in our research centres and LED technologies to stay at the forefront of the lighting industry in the coming decades. Let us help Light your world.



# Lamps

	ToLEDo™ Vintage	6		ToLEDo™ Twin-Tone	27
	ToLEDo™ LifeStyle	8		ToLEDo™ Light-Sense	27
	ToLEDo™ Mirage	9		ToLEDo™ Presence	28
	ToLEDo™ Radiance	11		RefLED Superia Retro ES50	29
	SylPendant	12		RefLED ES50	30
	ToLEDo™ Retro	13		RefLED Retro PAR	32
	ToLEDo™ GLS	20		RefLED Superia Retro MR16	33
	ToLEDo™ Candle & Bent Tip	22		RefLED MR16	34
	ToLEDo™ Ball	23		RefLED Retro MR11	35
	ToLEDo™ Globe	24		ToLEDo™ Superia T8	36
	ToLEDo™ SunDim	25		ToLEDo™ T8	37
	ToLEDo™ Step-Dim	26		ToLEDo™ Superia T8 Universal	38



# Lamps

	ToLEDo™ Superia T5	39		ToLEDo™ Microlynx	45
	RefLED ES111	40		ToLEDo™ Striplight	46
	RefLED R50/ R63/ R80	41		ToLEDo™ Stick	47
	ToLEDo™ G4 and G9	42		ToLEDo™ Performer	48
	ToLEDo™ R7s	43		Traditional Lamps	51
	ToLEDo™ Pygmy	44			

## Also available from Sylvania

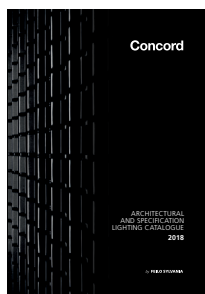
Specialist Lighting including :

Grow lights, Insect attraction, Bodycare and Tanning, Swimming Pool, Petcare, Food display, Aircraft, Stage and entertainment, Purification, Infrared, Traffic and Airfield

<https://www.sylvania-lighting.com/product/en-gb/category/special-lighting/>



Sylvania General Luminaires Lighting Catalogue CAT0750



Concord by Sylvania Architectural and Specification Lighting Catalogue CAT1283



# ToLEDo™ Vintage



Candle G200 A60 G200 G120

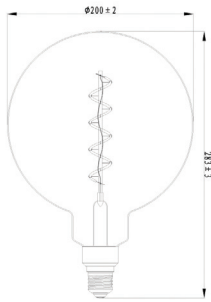


A160 A160 G95 ST64

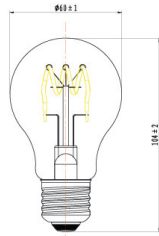
- Innovative Flexible Filament Chip Technology (FFCT) designed to create the low-lit vintage effect
- Perfect for hotels, restaurants, bars, heritage lighting and decorative applications
- The ideal LED solution to replace incandescent vintage lamps
- Low glare – suitable for low height installation
- 2000K colour temperature, to create a cosy ambience
- Available in golden and black tinted glass bodies
- Perfectly complements Sylvania E27 SylPendant range available in brass, copper, white and black finish
- 15,000 hours average rated life. Last 7.5 times longer than incandescent vintage lamps
- Flexible LED filament construction
- Omni-directional light distribution
- Low-lumen output to create low-lit effect – up to 300lm
- Up to 84% energy saving
- Dimmable and non-dimmable solutions
- Good colour rendering - CRI 80
- More than 100,000X switching cycles
- 3 years warranty

Code	Description	Voltage (V)	Fixture Power (W)	Luminous Flux (lm)	Efficacy (lm/W)	Luminous Intensity (cd)	Colour Temp (K)	CRI	Base	Average Rated Life (Hrs)	Power Factor	Equivalent Wattage (W)	Dimmable	Energy Class	Packaging Qty
<b>ToLEDo™ Vintage A60</b>															
0027976	ToLEDo™ Vintage A60 125lm 2000K E27 Sleeve	220-240	2,3	125	54	-	2000	80	E27	15,000	0.5	14	No	A+	6
<b>ToLEDo™ Vintage Candle</b>															
0027972	ToLEDo™ Vintage Candle 125lm 2000K E27 Sleeve	220-240	2,3	135	54	-	2000	80	E27	15,000	0.5	14	No	A+	6
0028010	ToLEDo™ Vintage Candle 125lm 2000K E14 Sleeve	220-240	2,3	125	54	-	2000	80	E14	15,000	0.5	14	No	A+	6
<b>ToLEDo™ Vintage ST64</b>															
0028002	ToLEDo™ Vintage ST64 DIM 250lm 2000K E27 Sleeve	220-240	5,5	250	45	-	2000	80	E27	15,000	0.8	25	Yes	A	6
<b>ToLEDo™ Vintage G95</b>															
0028006	ToLEDo™ Vintage G95 DIM 250lm 2000K E27 Sleeve	220-240	5,5	250	45	-	2000	80	E27	15,000	0.8	25	Yes	A	6
<b>ToLEDo™ Vintage G120</b>															
0028009	ToLEDo™ Vintage G120 DIM 250lm 2000K E27 Sleeve	220-240	5,5	250	45	-	2000	80	E27	15,000	0.8	25	Yes	A	6
<b>ToLEDo™ Vintage A160 Dim</b>															
0029922	ToLEDo™ Vintage A160 DIM 300lm Golden 2000K E27 SL	220-240	5,5	300	55	-	2000	80	E27	15,000	0.9	28	Yes	A	2
0029948	ToLEDo™ Vintage A160 DIM 105lm Black 2000K E27 SL	220-240	5,5	105	19	-	2000	80	E27	15,000	0.9	12	Yes	B	2
<b>ToLEDo™ Vintage G200 Dim</b>															
0029920	ToLEDo™ Vintage G200 DIM 300lm Golden 2000K E27 SL	220-240	5,5	300	55	-	2000	80	E27	15,000	0.9	28	Yes	A	2
0029946	ToLEDo™ Vintage G200 DIM 105lm Black 2000K E27 SL	220-240	5,5	105	19	-	2000	80	E27	15,000	0.9	12	Yes	B	2

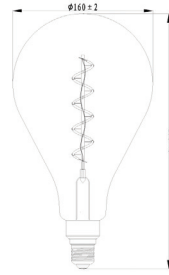
# ToLEDo™ Vintage



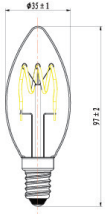
G200-E27



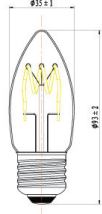
A60-E27



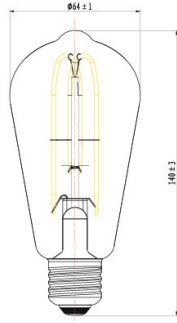
A165-E27



Candle - E14



Candle - E27



ST64 - E27





# ToLEDo™ LifeStyle



ToLEDo LifeStyle G190 Black

- New state-of-the-art designer lamps for decorative and hospitality applications
- Unconventional design that looks good on both off and on
- Flexible LED filament construction
- Perfectly complements Sylvania E27 SylPendant range available in brass, copper, white and black finish
- Dimming functionality helps to vary lighting scene as lamps can be dimmed from 100% to 10% and reduce energy consumption
- Low power - only 4W
- 2000K colour temperature to create an intimate atmosphere
- Good colour rendering - CRI 80
- 15,000 hours average rated life. Last 15 times longer than incandescent lamps
- Omni-directional light distribution
- More than 100,000X switching cycles
- 3 years warranty



ToLEDo LifeStyle G190 Golden



ToLEDo LifeStyle T180 Black



ToLEDo LifeStyle T180 Golden

Code	Description	Voltage (V)	Fixture Power (W)	Luminous Flux (lm)	Efficacy (lm/W)	Luminous Intensity (cd)	Colour Temp (K)	CRI	Base	Average Rated Life (Hrs)	Power Factor	Equivalent Wattage (W)	Dimmable	Energy Class	Packaging Qty
------	-------------	-------------	-------------------	--------------------	-----------------	-------------------------	-----------------	-----	------	--------------------------	--------------	------------------------	----------	--------------	---------------

### ToLEDo™ LifeStyle G190

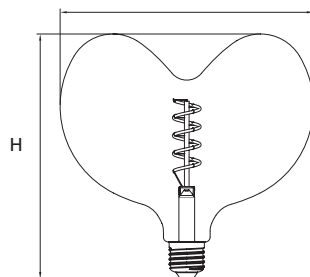
0029981	ToLEDo Lifestyle G190 BLK 150LM E27 SL	220-240	4	150	38	-	2000	80	E27	15,000	0.7	16	Yes	A	2
0029982	ToLEDo Lifestyle G190 GL 250LM E27 SL	220-240	4	250	63	-	2000	80	E27	15,000	0.7	25	Yes	A+	2

Code	Description	Voltage (V)	Fixture Power (W)	Luminous Flux (lm)	Efficacy (lm/W)	Luminous Intensity (cd)	Colour Temp (K)	CRI	Base	Average Rated Life (Hrs)	Power Factor	Equivalent Wattage (W)	Dimmable	Energy Class	Packaging Qty
------	-------------	-------------	-------------------	--------------------	-----------------	-------------------------	-----------------	-----	------	--------------------------	--------------	------------------------	----------	--------------	---------------

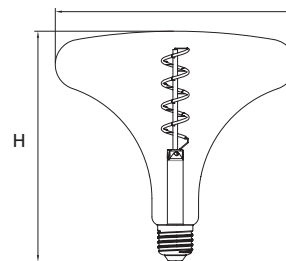
### ToLEDo™ LifeStyle T180

0029983	ToLEDo Lifestyle T180 BLK 150lm E27 SL	220-240	4	150	38	-	2000	80	E14	15,000	0.7	16	Yes	A	2
0029984	ToLEDo Lifestyle T180 GL 250lm E27 SL	220-240	4	250	63	-	2000	80	E14	15,000	0.7	25	Yes	A+	2

Dimensions (mm)	G190	T180
H	184	173
W	190	180



ToLEDo LifeStyle G190



ToLEDo LifeStyle T180



# ToLEDo™ Mirage



T45      ST64      B75

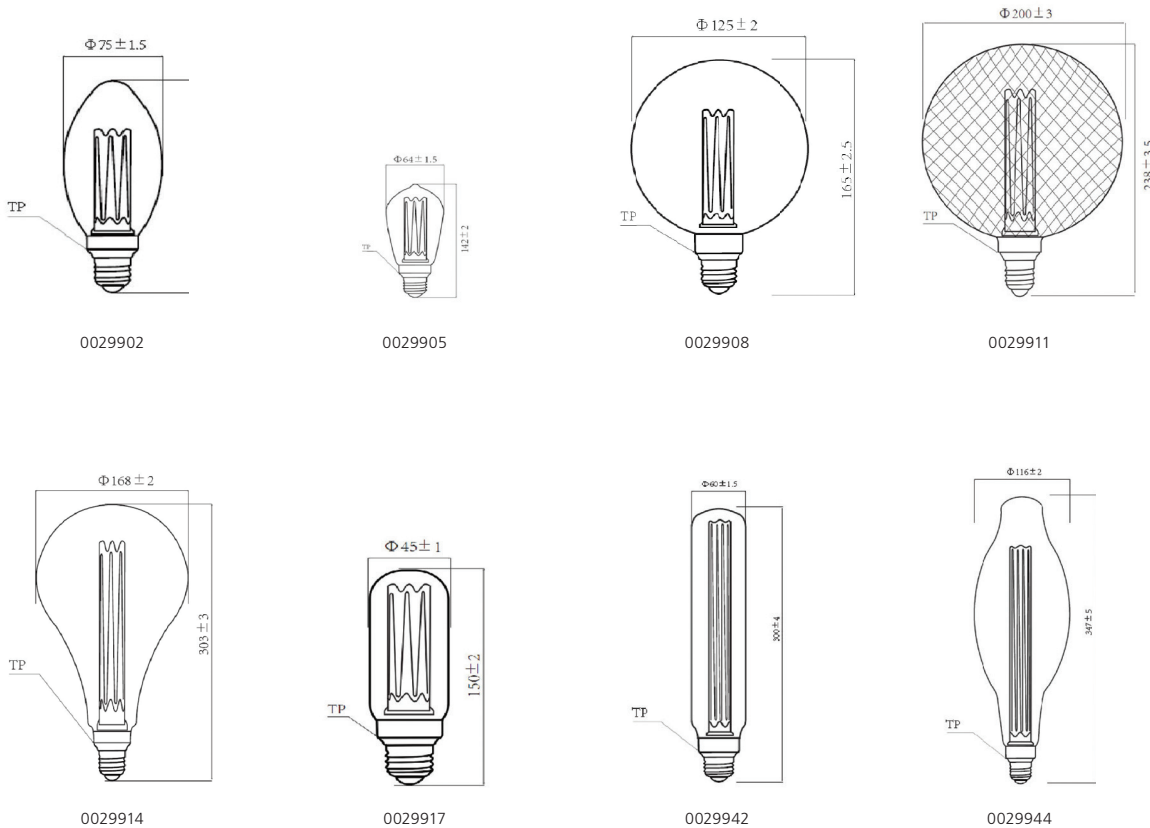


E110      T60      A165      G200      G120

- A perfect choice for hospitality, decorative and mood lighting applications
- Unique and innovative lamp design and construction
- Low-lumen output to create the low-lit effect and gives no glare
- Low power construction: only 2.5W
- Perfect for SylPendant fixtures - a range of unique and elegant E27 lamp pendants, available in copper, brass, black and white finish
- Candlelight 2000K colour temperature creates a warm and cosy ambience
- High colour rendering – CRI80
- High quality, scratch and temperature resistant golden tinted glass envelope
- 25,000 hours of average rated life. Last 25 times longer than incandescent lamps
- Omni-directional light distribution of 300°
- Non-dimmable
- More than 100,000X switching cycles
- 3 years warranty

Code	Description	Voltage (V)	Fixture Power (W)	Luminous Flux (lm)	Efficacy (lm/W)	Luminous Intensity (cd)	Colour Temp (K)	CRI	Base	Average Rated Life (Hrs)	Power Factor	Equivalent Wattage (W)	Dimmable	Energy Class	Packaging Qty
<b>ToLEDo™ Mirage</b>															
0029902	ToLEDo™ Mirage B75 125lm 2000K E27 Sleeve	220-240	2,5	125	50	-	2000	80	E27	25,000	0.5	14	No	A+	6
0029905	ToLEDo™ Mirage ST64 125lm 2000K E27 Sleeve	220-240	2,5	125	50	-	2000	80	E27	25,000	0.5	14	No	A+	6
0029908	ToLEDo™ Mirage G120 125lm 2000K E27 Sleeve	220-240	2,5	125	50	-	2000	80	E27	25,000	0.5	14	No	A+	4
0029911	ToLEDo™ Mirage G200 105lm 2000K E27 Sleeve	220-240	2,5	105	42	-	2000	80	E27	25,000	0.5	12	No	A	2
0029914	ToLEDo™ Mirage A165 105lm 2000K E27 Sleeve	220-240	2,5	105	42	-	2000	80	E27	25,000	0.5	12	No	A	2
0029917	ToLEDo™ Mirage T45 125lm 2000K E27 Sleeve	220-240	2,5	125	50	-	2000	80	E27	25,000	0.5	14	No	A+	6
0029942	ToLEDo™ Mirage T60 125lm 2000K E27 Sleeve	220-240	2,5	105	42	-	2000	80	E27	25,000	0.5	12	No	A	6
0029944	ToLEDo™ Mirage E110 125lm 2000K E27 Sleeve	220-240	2,5	105	42	-	2000	80	E27	25,000	0.5	12	No	A	4

# ToLEDo™ Mirage



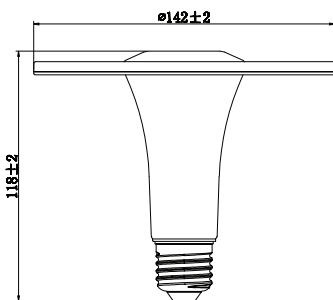


# ToLEDo™ Radiance

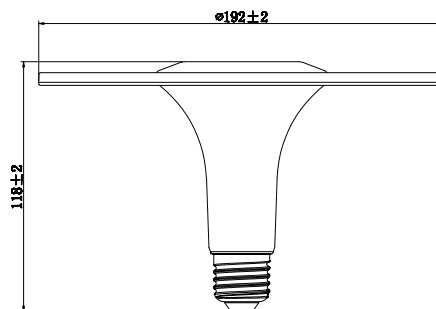


- Stylish and innovative design
- Contemporary and discreet - lamp blends in and can modernise the look of the room instantly
- Uniform light distribution with an element of direct/indirect lighting
- Dimmable on approved dimmers
- Low glare - suitable for low height installation
- Construction: white or black housing, textured circular reflector and matt finish inner and outer diffuser ring
- E27 lamp base, easy-to-install
- 25,000 hours average rated life
- More than 50,000X switching cycles
- Environment-friendly – no mercury and lower CO2 emissions
- Good colour rendering - CRI 80
- 3 years warranty

Code	Description	Voltage (V)	Fixture Power (W)	Luminous Flux (lm)	Efficacy (lm/W)	Luminous Intensity (cd)	Colour Temp (K)	CRI	Base	Average Rated Life (Hrs)	Power Factor	Equivalent Wattage (W)	Dimmable	Energy Class	Packaging Qty
<b>ToLEDo™ Radiance</b>															
0029001	ToLEDo™ Radiance White 806lm 827 E27	220-240	8	806	101	-	2700	80	E27	25,000	0.9	50	Yes	A+	2
0029002	ToLEDo™ Radiance White 806lm 840 E27	220-240	8	806	101	-	4000	80	E27	25,000	0.9	50	Yes	A+	2
0029003	ToLEDo™ Radiance White 1000lm 827 E27	220-240	10,5	1000	95	-	2700	80	E27	25,000	0.9	70	Yes	A+	2
0029004	ToLEDo™ Radiance White 1000lm 840 E27	220-240	10,5	1000	95	-	4000	80	E27	25,000	0.9	70	Yes	A+	2
0029009	ToLEDo™ Radiance Black 650lm 827 E27	220-240	8	650	81	-	2700	80	E27	25,000	0.9	50	Yes	A+	2
0029010	ToLEDo™ Radiance Black 650lm 840 E27	220-240	8	650	81	-	4000	80	E27	25,000	0.9	50	Yes	A+	2
0029011	ToLEDo™ Radiance Black 850lm 827 E27	220-240	10,5	850	81	-	2700	80	E27	25,000	0.9	70	Yes	A+	2



ToLEDo™ Radiance 650 806 lm



ToLEDo™ Radiance 850 1000 lm

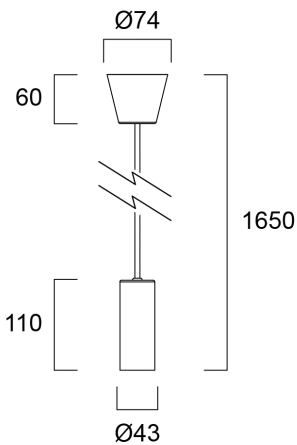


# SylPendant



- Sleek and compact metal pendants with the E27 socket, designed specifically to enhance the aesthetic of the product (only glass and metal visible)
- Available in copper, brass, black and white finishes
- Perfect for Sylvania lampnaire range - ToLEDo™ Radiance, ToLEDo™ Mirage, ToLEDo™ Vintage
- Maximum cord length 1450mm
- Total length 1650mm
- Maximum rated LED lamp wattage = 25W

Code	Description	Voltage (V)
<b>SylPendant</b>		
0043369	SylPendant White	220-240
0043370	SylPendant Black	220-240
0043371	SylPendant Copper	220-240
0043372	SylPendant Brass	220-240



# ToLEDo™ Retro



GLS Clear    GLS Clear    GLS Satin



GLS Satin    GLS Crown Silver

- Perfect for decorative and general lighting applications and creates a warm ambiance similar to traditional lamps
- Omni-directional light distribution
- A++ energy rating - up to 138 lm/W
- Suitable for replacement of up to 100W incandescent lamps
- 15,000 hours average rated life. Last 15 times longer than incandescent lamps
- Sparkling light effect
- Up to 89% energy saving compared to incandescent lamps
- Dimensionally identical to incandescent lamps - fits all fixtures
- Dimmable versions available with approved dimmers

Code	Description	Voltage (V)	Fixture Power (W)	Luminous Flux (lm)	Efficacy (lm/W)	Luminous Intensity (cd)	Colour Temp (K)	CRI	Base	Average Rated Life (Hrs)	Power Factor	Equivalent Wattage (W)	Dimmable	Energy Class	Packaging Qty
<b>ToLEDo™ Retro GLS Dimmable Clear</b>															
0028455	ToLEDo RT GLS CL DIM 806lm 827 B22 SL	220-240	7	806	115	-	2700	80	B22	15,000	0.5	60	Yes	A++	6
0028456	ToLEDo RT GLS CL DIM 806lm 827 E27 SL	220-240	7	806	115	-	2700	80	E27	15,000	0.5	60	Yes	A++	6
0028458	ToLEDo RT GLS CL DIM 1521lm 827 B22 SL	220-240	12	1521	127	-	2700	80	B22	15,000	0.5	100	Yes	A++	6
0028459	ToLEDo RT GLS CL DIM 1521lm 827 E27 SL	220-240	12	1521	127	-	2700	80	E27	15,000	0.5	100	Yes	A++	6
<b>ToLEDo™ Retro GLS Non-Dimmable Clear</b>															
0027160	ToLEDo RT GLS CL 470lm 827 E27 SL	220-240	4.5	470	104	-	2700	80	E27	15,000	0.5	40	No	A++	6
0027162	ToLEDo RT GLS CL 470lm 827 B22 SL	220-240	4.5	470	104	-	2700	80	B22	15,000	0.5	40	No	A++	6
0027326	ToLEDo RT GLS CL 470lm 840 E27 SL	220-240	4.5	470	104	-	4000	80	E27	15,000	0.5	40	No	A++	6
0027163	ToLEDo RT GLS CL 640lm 827 E27 SL	220-240	6	640	107	-	2700	80	E27	15,000	0.5	50	No	A++	6
0027341	ToLEDo RT GLS CL 806lm 827 E27 SL	220-240	7	806	115	-	2700	80	E27	15,000	0.5	60	No	A++	6
0027340	ToLEDo RT GLS CL 806lm 827 B22 SL	220-240	7	806	115	-	2700	80	B22	15,000	0.5	60	No	A++	6
0027328	ToLEDo RT GLS CL 806lm 840 E27 SL	220-240	7	806	115	-	4000	80	E27	15,000	0.5	60	No	A++	6
0027137	ToLEDo RT GLS CL 1055lm 827 E27 SL	220-240	8	1055	132	-	2700	80	E27	15,000	0.75	75	No	A++	6
0027330	ToLEDo RT GLS CL 1055lm 840 E27 SL	220-240	8	1055	132	-	4000	80	E27	15,000	0.92	75	No	A++	6
0027143	ToLEDo RT GLS CL 1521lm 827 E27 SL	220-240	11	1521	138	-	2700	80	E27	15,000	0.92	100	No	A++	6

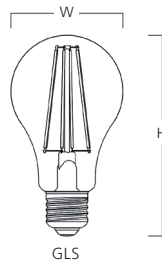


# ToLEDo™ Retro



Code	Description	Voltage (V)	Fixture Power (W)	Luminous Flux (lm)	Efficacy (lm/W)	Luminous Intensity (cd)	Colour Temp (K)	CRI	Base	Average Rated Life (Hrs)	Power Factor	Equivalent Wattage (W)	Dimmable	Energy Class	Packaging Qty
<b>ToLEDo™ Retro GLS Non-Dimmable Satin</b>															
0027156	ToLEDo RT GLS ST 470lm 827 E27 SL	220-240	4.5	470	104	-	2700	80	E27	15,000	0.5	40	No	A++	6
0027154	ToLEDo RT GLS ST 470lm 827 B22 SL	220-240	4.5	470	104	-	2700	80	B22	15,000	0.5	40	No	A++	6
0027312	ToLEDo RT GLS ST 806lm 827 E27 SL	220-240	7	806	115	-	2700	80	E27	15,000	0.5	60	No	A++	6
0027310	ToLEDo RT GLS ST 806lm 827 B22 SL	220-240	7	806	115	-	2700	80	B22	15,000	0.5	40	No	A++	6
0029992	ToLEDo RT GLS ST 1055lm 827 E27 SL	220-240	8	1055	132	-	2700	80	E27	15,000	0.5	40	No	A++	6
0029995	ToLEDo RT GLS ST 1521lm 827 E27 SL	220-240	11	1521	138	-	2700	80	E27	15,000	0.5	40	No	A++	6
<b>ToLEDo™ Retro GLS Non-Dimmable Crown Silver</b>															
0027157	ToLEDo RT GLS CS 400lm 827 E27 SL	220-240	4.5	400	89	-	2700	80	E27	15,000	0.5	35	No	A+	6
0027159	ToLEDo RT GLS CS 400lm 827 B22 SL	220-240	4.5	400	89	-	2700	80	B22	15,000	0.5	35	No	A+	6

Lamps	Dimensions (mm)	E27		B22	
		H	W	H	W
GLS 470lm/806lm/1055lm	H	104	102		
	W	60	60		
GLS 1521lm	H	126	125		
	W	70	70		



# ToLEDo™ Retro Ball/Globe



Ball Clear Ball Satin



Globe G80 Globe G120

- Perfect for decorative and general lighting applications and creates a warm ambiance similar to traditional lamps
- Omni-directional light distribution
- First lamp of its type to achieve A++ rating - up to 138 lm/W
- Suitable for replacement of up to 100W incandescent lamps
- 15,000 hours average rated life. Last 15 times longer than incandescent lamps
- Sparkling light effect
- Up to 90% energy saving compared to incandescent lamps
- Dimensionally identical to incandescent lamps - fits all fixtures
- Dimmable versions available with approved dimmers

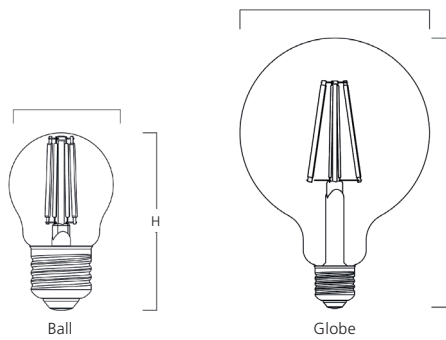
Code	Description	Voltage (V)	Fixture Power (W)	Luminous Flux (lm)	Efficacy (lm/W)	Luminous Intensity (cd)	Colour Temp (K)	CRI	Base	Average Rated Life (Hrs)	Power Factor	Equivalent Wattage (W)	Dimmable	Energy Class	Packaging Qty
<b>ToLEDo™ Retro Ball Dimmable Clear</b>															
0028451	ToLEDo RT Ball CL DIM 470lm 827 E14 SL	220-240	4.5	470	104	-	2700	80	E14	15,000	0.75	40	Yes	A++	6
0028453	ToLEDo RT Ball CL DIM 470lm 827 E27 SL	220-240	4.5	470	104	-	2700	80	E27	15,000	0.75	40	Yes	A++	6
<b>ToLEDo™ Retro Ball Non-Dimmable Clear</b>															
0027240	ToLEDo RT Ball CL 250lm 827 E27 SL	220-240	2.5	250	100	-	2700	80	E27	15,000	0.5	25	No	A++	6
0027238	ToLEDo RT Ball CL 250lm 827 E14 SL	220-240	2.5	250	100	-	2700	80	E14	15,000	0.5	25	No	A++	6
0027236	ToLEDo RT Ball CL 250lm 827 B22 SL	220-240	2.5	250	100	-	2700	80	B22	15,000	0.5	25	No	A++	6
0027248	ToLEDo RT Ball CL 470lm 827 E27 SL	220-240	4.5	470	104	-	2700	80	E27	15,000	0.5	37	No	A++	6
0027246	ToLEDo RT Ball CL 470lm 827 E14 SL	220-240	4.5	470	104	-	2700	80	E14	15,000	0.5	37	No	A++	6
0027244	ToLEDo RT Ball CL 470lm 827 B22 SL	220-240	4.5	470	104	-	2700	80	B22	15,000	0.5	37	No	A++	6
0028088	ToLEDo RT Ball CL 806LM 827 E14 SL	220-240	6	806	134	-	2700	80	E14	15,000	0.5	37	No	A++	6
0028090	ToLEDo RT Ball CL 806LM 827 E27 SL	220-240	6	806	134	-	2700	80	E27	15,000	0.5	37	No	A++	6
<b>ToLEDo™ Retro Ball Non-Dimmable Satin</b>															
0027255	ToLEDo RT Ball ST 470LM 827 B22 SL	220-240	4.5	470	104	-	2700	80	B22	15,000	0.5	40	No	A++	6
0027257	ToLEDo RT Ball ST 470LM 827 E14 SL	220-240	4.5	470	104	-	2700	80	E14	15,000	0.5	40	No	A++	6
0027259	ToLEDo RT Ball ST 470LM 827 E27 SL	220-240	4.5	470	104	-	2700	80	E27	15,000	0.5	40	No	A++	6
0028092	ToLEDo RT Ball ST 806LM 827 E14 SL	220-240	6	806	134	-	2700	80	E14	15,000	0.5	60	No	A++	6
0028093	ToLEDo RT Ball ST 806LM 827 E27 SL	220-240	6	806	134	-	2700	80	E27	15,000	0.5	60	No	A++	6

# ToLEDo™ Retro Ball/Globe



Code	Description	Voltage (V)	Fixture Power (W)	Luminous Flux (lm)	Efficacy (lm/W)	Luminous Intensity (cd)	Colour Temp (K)	CRI	Base	Average Rated Life (Hrs)	Power Factor	Equivalent Wattage (W)	Dimmable	Energy Class	Packaging Qty
<b>ToLEDo™ Retro G80 Non-Dimmable Clear</b>															
0027170	ToLEDo RT G80 CL 470lm 827 E27 SL	220-240	4.5	470	104	-	2700	80	E27	15,000	0.5	40	No	A++	6
0027171	ToLEDo RT G80 CL 470lm 827 B22 SL	220-240	4.5	470	104	-	2700	80	B22	15,000	0.5	40	No	A++	6
0027173	ToLEDo RT G80 CL 640lm 827 E27 SL	220-240	6	640	107	-	2700	80	E27	15,000	0.5	50	No	A++	6
0027174	ToLEDo RT G80 CL 640lm 827 B22 SL	220-240	6	640	107	-	2700	80	B22	15,000	0.5	50	No	A++	6
<b>ToLEDo™ Retro G120 Non-Dimmable Clear</b>															
0027147	ToLEDo RT G120 CL 1055lm 827 E27 SL	220-240	8	1055	132	-	2700	80	E27	15,000	0.5	75	No	A++	6
0027149	ToLEDo RT G120 CL 1521lm 827 E27 SL	220-240	11	1521	138	-	2700	80	E27	15,000	0.5	100	No	A++	6
0027148	ToLEDo RT G120 CL 1521lm 827 B22 SL	220-240	11	1521	138	-	2700	80	B22	15,000	0.5	100	No	A++	6

Lamps	Dimensions (mm)	E14	E27	B22
<b>Ball</b>	H	79	79	77
	W	45	45	45
<b>Globe G80 mm</b>	H	-	116	114
	W	-	80	80
<b>Globe G120 mm</b>	H	-	172	170
	W	-	124	124





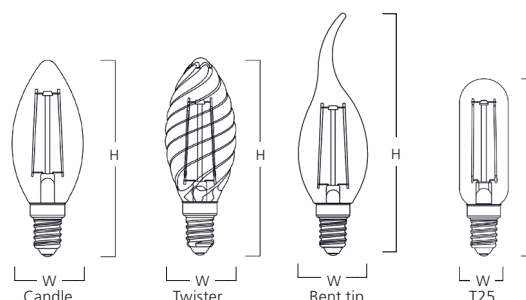
# ToLEDo™ Retro Candle/T25



- The versatile ToLEDo Retro candle range is the ideal replacement for incandescent lamps and perfect for chandeliers and decorative applications
- Creates a warm ambiance similar to traditional lamps
- Omni-directional light distribution
- Suitable for replacement of up to 60W incandescent candle lamps
- 15,000 hours average rated life. Last 15 times longer than incandescent lamps
- Sparkling light effect
- Up to 90% energy saving compared to incandescent lamps
- Dimensionally identical to incandescent lamps - fits all fixtures
- T25 is the ideal replacement for incandescent cooker hood lamps
- Dimmable versions available with approved dimmers

Code	Description	Voltage (V)	Fixture Power (W)	Luminous Flux (lm)	Efficacy (lm/W)	Luminous Intensity (cd)	Colour Temp (K)	CRI	Base	Average Rated Life (Hrs)	Power Factor	Equivalent Wattage (W)	Dimmable	Energy Class	Packaging Qty
<b>ToLEDo™ Retro Candle Dimmable Clear</b>															
0028445	ToLEDo RT Candle CL DIM 470lm 827 B22 SL	220-240	4.5	470	104	-	2700	80	B22	15,000	0.75	40	Yes	A++	6
0028446	ToLEDo RT Candle CL DIM 470lm 827 E14 SL	220-240	4.5	470	104	-	2700	80	E14	15,000	0.75	40	Yes	A++	6
0028448	ToLEDo RT Candle CL DIM 470lm 827 E27 SL	220-240	4.5	470	104	-	2700	80	E27	15,000	0.75	40	Yes	A++	6
<b>ToLEDo™ Retro Candle Non-Dimmable Clear</b>															
0027180	ToLEDo RT Candle CL 250lm 827 E14 SL	220-240	2.5	250	100	-	2700	80	E14	15,000	0.5	25	No	A++	6
0027182	ToLEDo RT Candle CL 250lm 827 B22 SL	220-240	2.5	250	100	-	2700	80	B22	15,000	0.5	25	No	A++	6
0027284	ToLEDo RT Candle CL 470lm 827 E27 SL	220-240	4.5	470	104	-	2700	80	E27	15,000	0.5	40	No	A++	6
0027282	ToLEDo RT Candle CL 470lm 827 E14 SL	220-240	4.5	470	104	-	2700	80	E14	15,000	0.5	40	No	A++	6
0027280	ToLEDo RT Candle CL 470lm 827 B22 SL	220-240	4.5	470	104	-	2700	80	B22	15,000	0.5	40	No	A++	6
0028081	ToLEDo RT Candle CL 806lm 827 E14 SL	220-240	6	806	134	-	2700	80	E14	15,000	0.5	60	No	A++	6
<b>ToLEDo™ Retro Candle Non-Dimmable Satin</b>															
0027289	ToLEDo RT Candle ST 470lm 827 E27 SL	220-240	4.5	470	104	-	2700	80	E27	15,000	0.5	40	No	A++	6
0027287	ToLEDo RT Candle ST 470lm 827 E14 SL	220-240	4.5	470	104	-	2700	80	E14	15,000	0.5	40	No	A++	6
0027285	ToLEDo RT Candle ST 470lm 827 B22 SL	220-240	4.5	470	104	-	2700	80	B22	15,000	0.5	40	No	A++	6
0028085	ToLEDo RT Candle ST 806lm 827 E14 SL	220-240	6	806	134	-	2700	80	E14	15,000	0.5	60	No	A++	6
<b>ToLEDo™ Retro Candle Bent tip Non-Dimmable Clear</b>															
0027183	ToLEDo RT Candle BT CL 250lm 827 E14 SL	220-240	2.5	250	100	-	2700	80	E14	15,000	0.5	25	No	A++	6
<b>ToLEDo™ Retro Candle Non-Dimmable Golden</b>															
0027332	ToLEDo RT Candle GL 225lm 825 E14 SL	220-240	2.5	225	90	-	2500	80	E14	15,000	0.5	23	No	A++	6
0027334	ToLEDo RT Candle GL 420lm 825 E14 SL	220-240	4.5	420	93	-	2500	80	E14	15,000	0.5	37	No	A+	6
<b>ToLEDo™ Retro Candle Non-Dimmable Twister</b>															
0027336	ToLEDo RT Candle TW CL 250lm 827 E14 SL	220-240	2.5	250	100	-	2700	80	E14	15,000	0.5	25	No	A++	6
0027338	ToLEDo RT Candle TW CL 470lm 827 E14 SL	220-240	4.5	470	104	-	2700	80	E14	15,000	0.5	40	No	A++	6
<b>ToLEDo™ Retro T25 Non-Dimmable Clear</b>															
0027243	ToLEDo RT T25 CL 250lm 827 E14 SL	220-240	2.5	250	100	-	2700	80	E14	15,000	0.5	25	No	A++	6
0028095	ToLEDo RT T25 CL 470lm 827 E14 SL	220-240	4.5	470	104	-	2700	80	E14	15,000	0.5	40	No	A++	6

Lamps	Dimensions (mm)	E14	E27	B22
<b>Candle Clear, Golden and Twister</b>	H	97	95	93
	W	35	35	35
<b>Bent tip</b>	H	123	-	-
	W	35	-	-
<b>T25 Clear</b>	H	90	78	-
	W	25	45	-



# ToLEDo™ Retro Dimmable



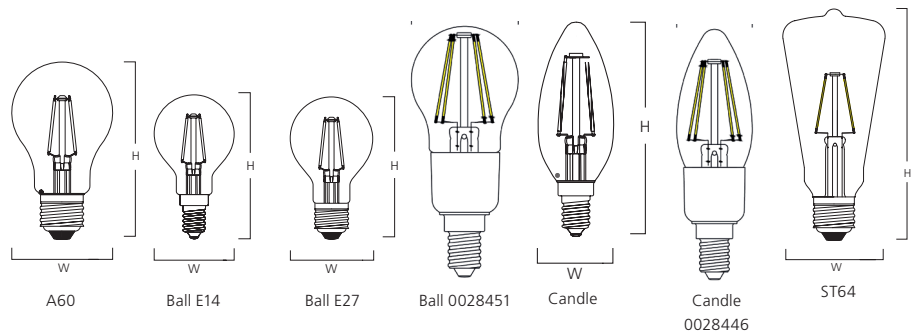
- Perfect for decorative and general lighting applications and creates a warm ambiance similar to traditional lamps
- Omni-directional light distribution
- Energy Class A++, up to 133lm/W
- Suitable for replacing incandescent lamps up to 100W
- Sparkling light output
- Up to 90% energy saving compared to incandescent lamps
- Same look, size and functionality as incandescent lamps



ST64 Golden

Code	Description	Voltage (V)	Fixture Power (W)	Luminous Flux(lm)	Efficacy (lm/W)	Luminous Intensity (cd)	Colour Temp (K)	CRI	Base	Average Rated Life (Hrs)	Power Factor	Equivalent Wattage (W)	Dimmable	Energy Class	Packaging Qty
<b>ToLEDo™ Retro - Dimmable</b>															
0028456	ToLEDo™ Retro A60 806lm Clear Dimmable 827 E27	220-240	7	806	115	-	2700	80	E27	15,000	0.9	60	Yes	A++	6
0028446	ToLEDo™ Retro Candle 470lm Clear Dimmable 827 E14	220-240	4,5	470	104	-	2700	80	E14	15,000	0.8	40	Yes	A++	6
0028448	ToLEDo™ Retro Candle 470lm Clear Dimmable 827 E27	220-240	4,5	470	104	-	2700	80	E27	15,000	0.8	40	Yes	A++	6
0028451	ToLEDo™ Retro Ball 470lm Clear Dimmable 827 E14	220-240	4,5	470	104	-	2700	80	E14	15,000	0.8	40	Yes	A++	6
0028462	ToLEDo™ Retro ST64 560lm Golden Dimmable 824 E27	220-240	5,5	560	115	-	2400	80	E27	15,000	0.8	45	Yes	A+	6
0028453	ToLEDo™ Retro Ball 470lm Clear Dimmable 827 E27	220-240	4.5	470	-	-	2700	80	E27	15,000	-	-	Yes	A++	6
0028465	ToLEDo™ Retro ST64 806lm Clear Dimmable 827 E27	220-240	7	806	-	-	2700	80	E27	15,000	-	-	Yes	A++	6

Lamps	Dimensions (mm)	E14	E27
A60	H	-	105
	W	-	60
Ball	H	84	84
	W	45	45
Ball 0028451	H	106	-
	W	45	-
Candle	H	99	92
	W	35	35
Candle 0028446	H	117	-
	W	35	-
ST64	H	-	145
	W	-	64



# ToLEDo™ Retro ST64



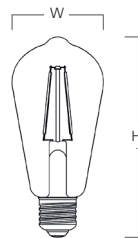
ST64 Clear

ST64 Golden

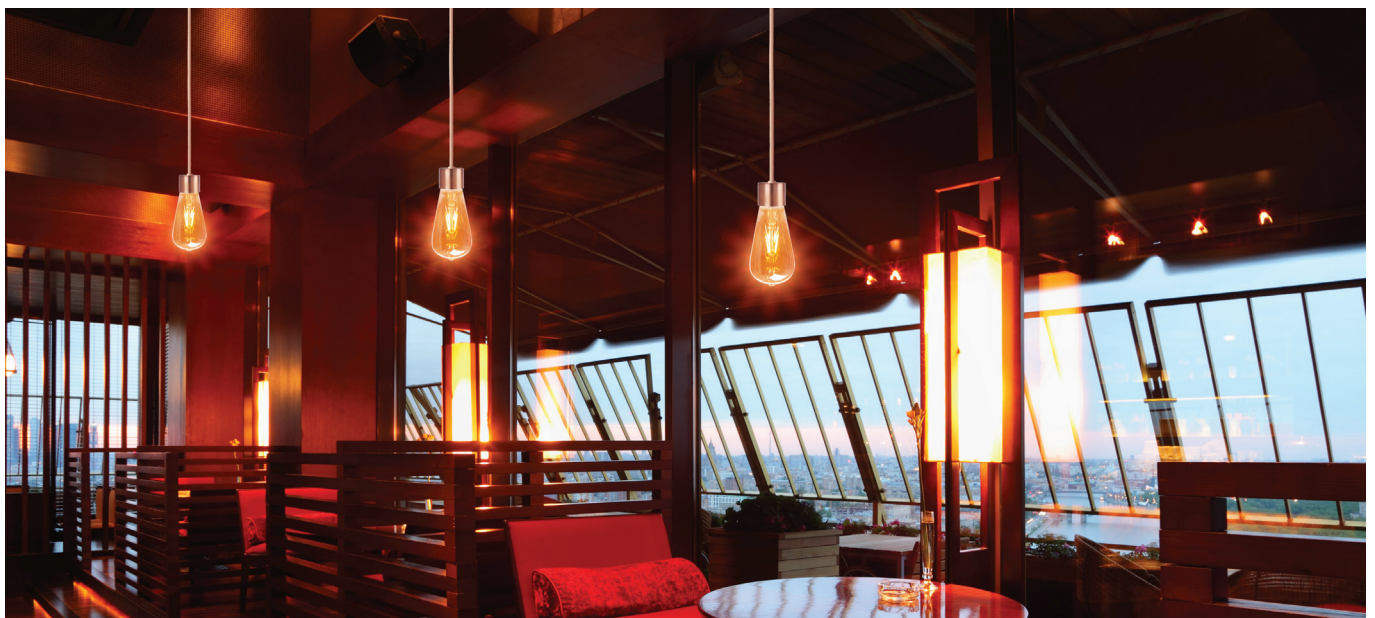
- Perfect for decorative and general lighting applications and creates a warm ambiance similar to traditional lamps
- Omni-directional light distribution
- A++ energy rating - up to 115 lm/W
- Suitable for replacement of up to 60W incandescent lamps
- 15,000 hours average rated life. Last 15 times longer than incandescent lamps
- Sparkling light effect
- Up to 88% energy saving compared to incandescent lamps
- Dimensionally identical to incandescent lamps - fits all fixtures
- Dimmable versions available with approved dimmers

Code	Description	Voltage (V)	Fixture Power (W)	Luminous Flux (lm)	Efficacy (lm/W)	Luminous Intensity (cd)	Colour Temp (K)	CRI	Base	Average Rated Life (Hrs)	Power Factor	Equivalent Wattage (W)	Dimmable	Energy Class	Packaging Qty
<b>ToLEDo™ Performer H-Series</b>															
0028465	ToLEDo RT ST64 V3 CL DIM 806lm 827 E27 SL	220-240	7	806	131	-	2700	80	E27	15,000	0.75	60	Yes	A++	6
<b>ToLEDo™ Retro ST64 Dimmable Golden</b>															
0028462	ToLEDo RT ST64 V3 GL DIM 560lm 825 E27 SL	220-240	6	560	135	-	2500	80	E27	15,000	0.75	45	Yes	A+	6
<b>ToLEDo™ Retro ST64 Non-Dimmable Clear</b>															
0027175	ToLEDo RT ST64 V4 CL 470lm 827 E27 SL	220-240	4.5	470	135	-	2700	80	E27	15,000	0.5	40	No	A++	6
<b>ToLEDo™ Retro ST64 Non-Dimmable Golden</b>															
0027177	ToLEDo RT ST64 V4 GL 420lm 825 E27 SL	220-240	4.5	420	135	-	2500	80	E27	15,000	0.5	37	No	A+	6

Lamps	Dimensions (mm)	E27
ST64	H	140
	W	64



ST64



# ToLEDo™ GLS



- Compact and elegant design
- Wide range of lumen outputs, from 470lm to 2550lm
- Up to 86% energy saving compared to incandescent lamps
- Instant light at the flick of a switch
- Suitable for replacement of up 150W incandescent lamps
- Uniform light distribution
- Available in different colour temperatures - 2700K, 4000K and 6500K
- Good colour rendering (CRI 80)
- Perfect for hotels, restaurants, lobbies, corridors, stairwells, reception areas, high ceiling rooms
- Lower maintenance costs
- Dimmable versions available with approved dimmers

Code	Description	Voltage (V)	Fixture Power (W)	Luminous Flux (lm)	Efficacy (lm/W)	Luminous Intensity (cd)	Colour Temp (K)	CRI	Base	Average Rated Life (Hrs)	Power Factor	Equivalent Wattage (W)	Dimmable	Energy Class	Packaging Qty
<b>ToLEDo™ GLS Non-Dimmable</b>															
0026670	ToLEDo GLS FR 470lm 827 E27 SL	220-240	5,5	470	85	-	2700	80	E27	15,000	0.5	40	No	A+	6
0026674	ToLEDo GLS FR 470lm 827 B22 SL	220-240	5,5	470	85	-	2700	80	B22	15,000	0.5	40	No	A+	6
0027053	ToLEDo GLS FR 470lm 840 E27 SL	220-240	5,5	470	85	-	4000	80	E27	15,000	0.5	40	No	A+	6
0026628	ToLEDo GLS FR 470lm 865 E27 SL	220-240	5,5	4700	85	-	6500	80	E27	15,000	0.5	40	No	A+	6
0026672	ToLEDo GLS FR 806lm 827 E27 SL	220-240	8,5	806	95	-	2700	80	E27	15,000	0.5	60	No	A+	6
0026675	ToLEDo GLS FR 806lm 827 B22 SL	220-240	8,5	806	95	-	2700	80	B22	15,000	0.5	60	No	A+	6
0026668	ToLEDo GLS FR 806lm 840 E27 SL	220-240	8,5	806	95	-	4000	80	E27	15,000	0.5	60	No	A+	6
0026629	ToLEDo GLS FR 806lm 865 E27 SL	220-240	8,5	806	95	-	6500	80	E27	15,000	0.5	60	No	A+	6
0026682	ToLEDo GLS FR 1055lm 827 E27 SL	220-240	11	1055	96	-	2700	80	E27	15,000	0.5	75	No	A+	6
0026689	ToLEDo GLS FR 1055lm 827 B22 SL	220-240	11	1055	96	-	2700	80	B22	15,000	0.5	75	No	A+	6
0026686	ToLEDo GLS FR 1055lm 840 E27 SL	220-240	11	1055	96	-	4000	80	E27	15,000	0.5	75	No	A+	6
0026632	ToLEDo GLS FR 1055lm 865 E27 SL	220-240	11	1055	96	-	6500	80	E27	15,000	0.5	75	No	A+	6
0027968	ToLEDo GLS FR 1521lm 827 E27 SL	220-240	14	1521	109	-	2700	80	E27	15,000	0.5	100	No	A+	6
0026650	ToLEDo GLS FR 1521lm 827 B22 SL	220-240	14	1521	109	-	2700	80	B22	15,000	0.5	100	No	A+	6
0027966	ToLEDo GLS FR 1521lm 840 E27 SL	220-240	14	1521	109	-	4000	80	E27	15,000	0.5	100	No	A+	6
0027969	ToLEDo GLS FR 1521lm 865 E27 SL	220-240	14	1521	109	-	6500	80	E27	15,000	0.5	100	No	A+	6
0027904	ToLEDo GLS FR 1921lm 827 E27 SL	220-240	17,5	1921	110	-	2700	80	E27	15,000	0.5	121	No	A+	6
0027905	ToLEDo GLS FR 1921lm 840 E27 SL	220-240	17,5	1921	110	-	4000	80	E27	15,000	0.5	121	No	A+	6
0027906	ToLEDo GLS FR 2000lm 865 E27 SL	220-240	17,5	2000	114	-	6500	80	E27	15,000	0.5	126	No	A+	6
0027901	ToLEDo GLS FR 2452lm 827 E27 SL	220-240	20	2452	123	-	2700	80	E27	15,000	0.5	150	No	A++	6
0027902	ToLEDo GLS FR 2452lm 840 E27 SL	220-240	20	2452	123	-	4000	80	E27	15,000	0.5	150	No	A++	6
0027903	ToLEDo GLS FR 2550lm 865 E27 SL	220-240	20	2550	128	-	6500	80	E27	15,000	0.5	155	No	A++	6

Code	Description	Voltage (V)	Fixture Power (W)	Luminous Flux (lm)	Efficacy (lm/W)	Luminous Intensity (cd)	Colour Temp (K)	CRI	Base	Average Rated Life (Hrs)	Power Factor	Equivalent Wattage (W)	Dimmable	Energy Class	Packaging Qty
<b>ToLEDo™ GLS Dimmable</b>															
0028510	ToLEDo GLS DIM FR 810lm 827 E27 SL	220-240	10	810	81	-	2700	80	E27	15,000	0.8	60	Yes	A+	6
0028511	ToLEDo GLS DIM FR 810lm 827 B22 SL	220-240	10	810	81	-	2700	80	B22	15,000	0.8	60	Yes	A+	6
0028513	ToLEDo GLS DIM FR 1060lm 827 E27 SL	220-240	11	1060	96	-	2700	80	E27	15,000	0.8	75	Yes	A+	6
0028514	ToLEDo GLS DIM FR 1150lm 865 E27 SL	220-240	11	1150	105	-	6500	80	E27	15,000	0.8	80	Yes	A+	6
0028515	ToLEDo GLS DIM FR 1150lm 840 E27 SL	220-240	11	1150	105	-	4000	80	E27	15,000	0.8	80	Yes	A+	6
0028516	ToLEDo GLS DIM FR 1521lm 827 E27 SL	220-240	15	1521	101	-	2700	80	E27	15,000	0.8	100	Yes	A+	6



# ToLEDo™ GLS



ToLEDo GLS  
5.5W/8.5W

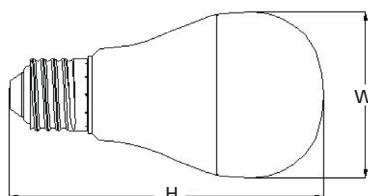
ToLEDo GLS  
11W/15W

ToLEDo GLS  
18W/20W

ToLEDo GLS DIM  
10W/11W

ToLEDo GLS DIM  
15W

<b>GLS 470lm/806lm</b>	<b>E27</b>	<b>B22</b>
H	108	105
W	60	60
<b>GLS 1055lm/1521lm</b>	<b>E27</b>	<b>B22</b>
H	120	118
W	60	60
<b>GLS 1921lm/2452lm</b>	<b>E27</b>	
H	143	
W	67	
<b>GLS DIM 810lm/1150lm</b>	<b>E27</b>	<b>B22</b>
H	109	107
W	60	60
<b>GLS DIM 1521lm</b>	<b>E27</b>	<b>B22</b>
H	140	138
W	66	66



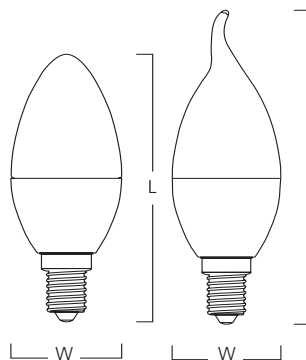
# ToLEDo™ Candle & Bent Tip



- Elegant and compact design
- Up to 88% energy saving compared to incandescent lamps
- Instant light at the flick of a switch
- Suitable for replacement of up to 60W incandescent lamps
- Available in different colour temperatures - 2700K, 4000K and 6500K
- Good colour rendering (CRI 80)
- Bent tip shape resembles a candle's flame - providing a classic look
- Dimmable versions available with approved dimmers

Code	Description	Voltage (V)	Fixture Power (W)	Luminous Flux (lm)	Efficacy (lm/W)	Luminous Intensity (cd)	Colour Temp (K)	CRI	Base	Average Rated Life (Hrs)	Power Factor	Equivalent Wattage (W)	Dimmable	Energy Class	Packaging Qty
<b>ToLEDo™ Candle Non-Dimmable</b>															
0026920	ToLEDo Candle FR 250lm 827 E14 SL	220-240	3	250	83	-	2700	80	E14	15,000	0.4	25	No	A+	6
0028397	ToLEDo Candle FR 250lm 827 B22 SL	220-240	3	250	83	-	2700	80	B22	15,000	0.4	25	No	A+	6
0027514	ToLEDo Candle FR 250lm 840 E14 SL	220-240	3	250	83	-	4000	80	E14	15,000	0.4	25	No	A+	6
0026972	ToLEDo Candle FR 250lm 865 E14 SL	220-240	3	250	83	-	6500	80	E14	15,000	0.4	25	No	A+	6
0026931	ToLEDo Candle FR 470lm 827 E14 SL	220-240	5	470	94	-	2700	80	E14	15,000	0.5	40	No	A+	6
0026933	ToLEDo Candle FR 470lm 827 E27 SL	220-240	5	470	94	-	2700	80	E27	15,000	0.5	40	No	A+	6
0028398	ToLEDo Candle FR 470lm 827 B22 SL	220-240	5	470	94	-	2700	80	B22	15,000	0.5	40	No	A+	6
0027515	ToLEDo Candle FR 470lm 840 E14 SL	220-240	5	470	94	-	4000	80	E14	15,000	0.5	40	No	A+	6
0026973	ToLEDo Candle FR 470lm 865 E14 SL	220-240	5	470	94	-	6500	80	E14	15,000	0.5	40	No	A+	6
0028334	ToLEDo Candle FR 806lm 827 E14 SL	220-240	8	806	101	-	2700	80	E14	15,000	0.5	60	No	A+	6
0028335	ToLEDo Candle FR 806lm 827 E27 SL	220-240	8	806	101	-	2700	80	E27	15,000	0.5	60	No	A+	6
0028399	ToLEDo Candle FR 806lm 827 B22 SL	220-240	8	806	101	-	2700	80	B22	15,000	0.5	60	No	A+	6
0028337	ToLEDo Candle FR 806lm 840 E14 SL	220-240	8	806	101	-	4000	80	E14	15,000	0.5	60	No	A+	6
0028339	ToLEDo Candle FR 806lm 865 E14 SL	220-240	8	806	101	-	6500	80	E14	15,000	0.5	60	No	A+	6
<b>ToLEDo™ Candle Dimmable</b>															
0026935	ToLEDo Candle DIM FR 470lm 827 E14 SL	220-240	5.6	470	84	-	2700	80	E14	15,000	0.5	40	Yes	A+	6
0028400	ToLEDo Candle DIM FR 470lm 827 B22 SL	220-240	5.6	470	84	-	2700	80	B22	15,000	0.5	40	Yes	A+	6
0027516	ToLEDo Candle DIM FR 470lm 840 E14 SL	220-240	5.6	470	84	-	4000	80	E14	15,000	0.5	40	Yes	A+	6
0026971	ToLEDo Candle DIM FR 470lm 865 E14 SL	220-240	5.6	470	84	-	6500	80	E14	15,000	0.5	40	Yes	A+	6
<b>ToLEDo™ Candle Bent Tip</b>															
0026939	ToLEDo Bent Tip FR 470lm 827 E14 SL	220-240	5	470	94	-	2700	80	E14	15,000	0.5	40	No	A+	6

Candle			
250lm/ 470lm	E14	E27	B22
L	104	105	104
W	35	35	35
806lm			
L	115	115	113
W	-	39	39
Bent Tip			
E27	E14		
L	126	-	
W	35	-	



# ToLEDo™ Ball

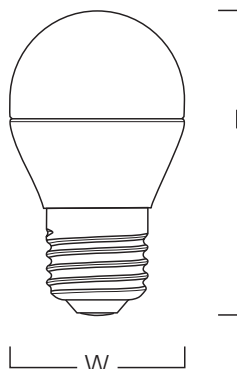


- Elegant and compact design
- Up to 88% energy saving compared to incandescent lamps
- Instant light at the flick of a switch
- Suitable for replacement of up to 60W incandescent lamps
- Available in different colour temperatures - 2700K, 4000K and 6500K
- Good colour rendering (CRI 80)
- Dimmable versions available with approved dimmers

Code	Description	Voltage (V)	Fixture Power (W)	Luminous Flux (lm)	Efficacy (lm/W)	Luminous Intensity (cd)	Colour Temp (K)	CRI	Base	Average Rated Life (Hrs)	Power Factor	Equivalent Wattage (W)	Dimmable	Energy Class	Packaging Qty
<b>ToLEDo™ Ball Non-Dimmable</b>															
0026950	ToLEDo Ball FR 250lm 827 E14 SL	220-240	3	250	83	-	2700	80	E14	15,000	0,4	25	No	A+	6
0026949	ToLEDo Ball FR 250lm 827 E27 SL	220-240	3	250	83	-	2700	80	E27	15,000	0,4	25	No	A+	6
0028403	ToLEDo Ball FR 250lm 827 B22 SL	220-240	3	250	83	-	2700	80	B22	15,000	0,4	25	No	A+	6
0026954	ToLEDo Ball FR 470lm 827 E14 SL	220-240	5	470	94	-	2700	80	E14	15,000	0,5	40	No	A+	6
0026948	ToLEDo Ball FR 470lm 827 E27 SL	220-240	5	470	94	-	2700	80	E27	15,000	0,5	40	No	A+	6
0028404	ToLEDo Ball FR 470lm 827 B22 SL	220-240	5	470	94	-	2700	80	B22	15,000	0,5	40	No	A+	6
0027517	ToLEDo Ball FR 470lm 840 E14 SL	220-240	5	470	94	-	4000	80	E14	15,000	0,5	40	No	A+	6
0027518	ToLEDo Ball FR 470lm 840 E27 SL	220-240	5	470	94	-	4000	80	E27	15,000	0,5	40	No	A+	6
0026976	ToLEDo Ball FR 470lm 865 E14 SL	220-240	5	470	94	-	6500	80	E14	15,000	0,5	40	No	A+	6
0026977	ToLEDo Ball FR 470lm 865 E27 SL	220-240	5	470	94	-	6500	80	E27	15,000	0,5	40	No	A+	6
0028341	ToLEDo Ball FR 806lm 827 E14 SL	220-240	8	806	101	-	2700	80	E14	15,000	0,5	60	No	A+	6
0028342	ToLEDo Ball FR 806lm 827 E27 SL	220-240	8	806	101	-	2700	80	E27	15,000	0,5	60	No	A+	6
0028406	ToLEDo Ball FR 806lm 827 B22 SL	220-240	8	806	101	-	2700	80	B22	15,000	0,5	60	No	A+	6
0028344	ToLEDo Ball FR 806lm 840 E14 SL	220-240	8	806	101	-	4000	80	E14	15,000	0,5	60	No	A+	6
0028346	ToLEDo Ball FR 806lm 865 E14 SL	220-240	8	806	101	-	6500	80	E14	15,000	0,5	60	No	A+	6

Code	Description	Voltage (V)	Fixture Power (W)	Luminous Flux (lm)	Efficacy (lm/W)	Luminous Intensity (cd)	Colour Temp (K)	CRI	Base	Average Rated Life (Hrs)	Power Factor	Equivalent Wattage (W)	Dimmable	Energy Class	Packaging Qty
<b>ToLEDo™ Ball Dimmable</b>															
0026946	ToLEDo Ball DIM FR 470lm 827 E14 SL	220-240	5.6	470	84	-	2700	80	E14	15,000	0.5	40	Yes	A+	6
0026947	ToLEDo Ball DIM FR 470lm 827 E27 SL	220-240	5.6	470	84	-	2700	80	E27	15,000	0.5	40	Yes	A+	6
0028405	ToLEDo Ball DIM FR 470lm 827 B22 SL	220-240	5.6	470	84	-	2700	80	B22	15,000	0.5	40	Yes	A+	6
0027519	ToLEDo Ball DIM FR 470lm 840 E14 SL	220-240	5.6	470	84	-	4000	80	E14	15,000	0.5	40	Yes	A+	6
0027520	ToLEDo Ball DIM FR 470lm 840 E27 SL	220-240	5.6	470	84	-	4000	80	E27	15,000	0.5	40	Yes	A+	6
0026974	ToLEDo Ball DIM FR 470lm 865 E14 SL	220-240	5.6	470	84	-	6500	80	E14	15,000	0.5	40	Yes	A+	6
0026975	ToLEDo Ball DIM FR 470lm 865 E27 SL	220-240	5.6	470	84	-	6500	80	E27	15,000	0.5	40	Yes	A+	6

250lm/ 470lm	E14	E27	B22
L	82	77	75
W	45	45	45
806lm	E14	E27	B22
L	90	90	89
W	45	45	45



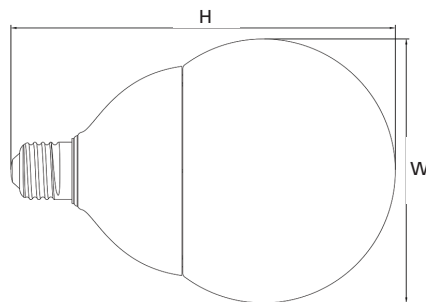
# ToLEDo™ Globe



- Compact and elegant design
- Up to 86% energy saving compared to incandescent lamps
- Instant light at the flick of a switch
- Suitable for replacement of up to 150W incandescent lamps
- Uniform light distribution
- Available in different colour temperatures - 2700K, 4000K and 6500K
- Good colour rendering (CRI 80)
- Perfect for hotels, restaurants, lobbies, corridors, stairwells, reception areas, high ceiling rooms
- Lower maintenance costs

Code	Description	Voltage (V)	Fixture Power (W)	Luminous Flux (lm)	Efficacy (lm/W)	Luminous Intensity (cd)	Colour Temp (K)	CRI	Base	Average Rated Life (Hrs)	Power Factor	Equivalent Wattage (W)	Dimmable	Energy Class	Packaging Qty
<b>ToLEDo™ Globe - Non Dimmable</b>															
0026902	ToLEDo G120 FR 2450lm 827 E27 SL	220-240	20	2450	123	-	2700	80	E27	15,000	0.5	150	No	A++	6
0026903	ToLEDo G120 FR 2450lm 840 E27 SL	220-240	20	2450	123	-	4000	80	E27	15,000	0.5	150	No	A++	6
0026904	ToLEDo G120 FR 2450lm 865 E27 SL	220-240	20	2450	124	-	6500	80	E27	15,000	0.5	150	No	A++	6

Lamps	Dimensions (mm)	20W
G120	H	175
	W	120



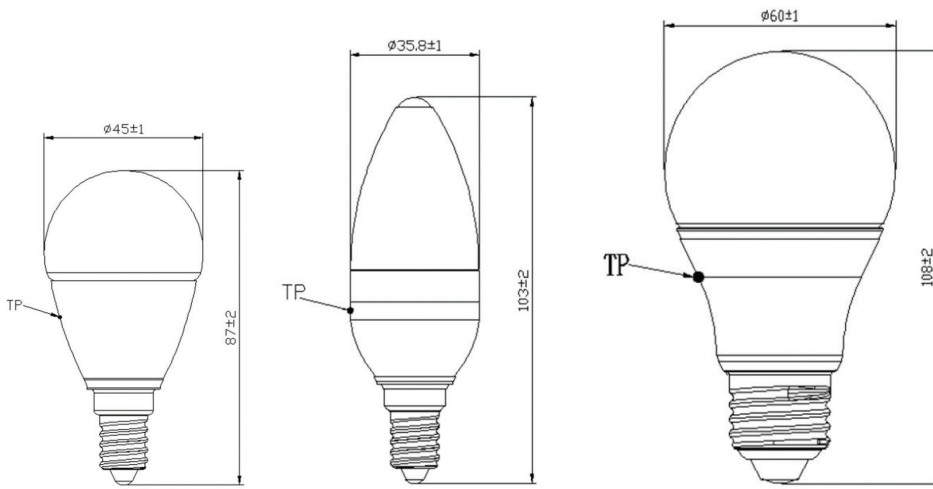


# ToLEDo™ SunDim



- Smart LED solution, available in A60, Ball and Candle shapes
- Mimics the trademark traits of incandescent and halogen lamps by producing warmer light when dimmed
- Frosted finish enhance the gradual change in colour temperature from 2700K (100%) to 2000K (10%) and also help to create a cozy atmosphere
- Dimmable on approved dimmers
- Perfect for hospitality and domestic applications
- 25,000 hours average rated life
- 3 years warranty – ToLEDo™ SunDim

Code	Description	Voltage (V)	Fixture Power (W)	Luminous Flux (lm)	Efficacy (lm/W)	Luminous Intensity (cd)	Colour Temp (K)	CRI	Base	Average Rated Life (Hrs)	Power Factor	Equivalent Wattage (W)	Dimmable	Energy Class	Packaging Qty
<b>ToLEDo™ SunDim</b>															
0027543	ToLEDo™ SunDim A60 806lm	220-240	9,5	806	85	-	2700	80	E27	25,000	0.8	60	Yes	A+	6
0027544	ToLEDo™ SunDim Candle 470lm	220-240	6,5	470	72	-	2700	80	E14	25,000	0.75	40	Yes	A+	6
0027545	ToLEDo™ SunDim Ball 470lm	220-240	6,5	470	72	-	2700	80	E14	25,000	0.75	40	Yes	A+	6



ToLEDo™ SunDim A60

ToLEDo™ SunDim Candle

ToLEDo™ SunDim Ball

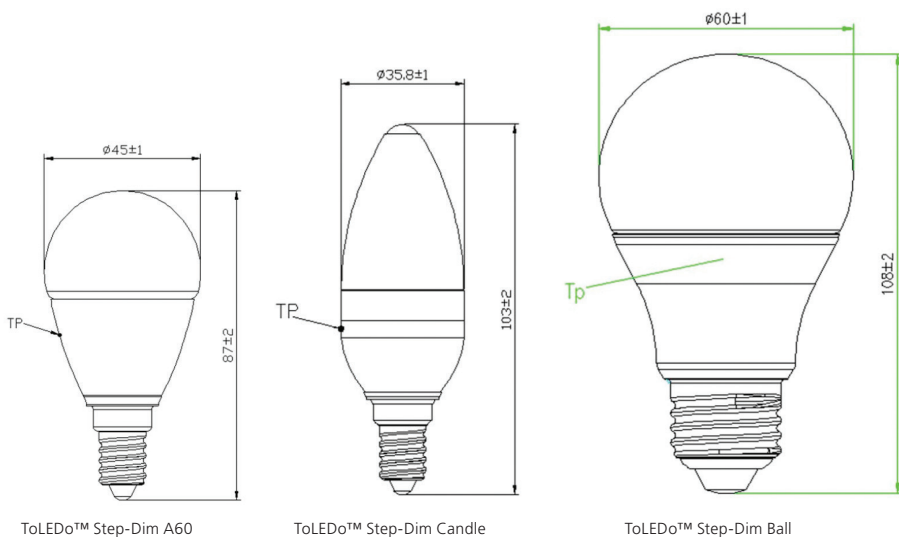


# ToLEDo™ Step-Dim



- Lamp can be controlled with standard switches – wall, cable or foot switches
- Smart and cost effective preset dimming solution
- Two different brightness settings:
  - Full 100% brightness (default setting)
  - Press the on/off switch again to reduce brightness level to 30% (cozy lighting)
- Step-Dim function is controlled by standard on/off switch and don't require external dimmer or remote control
- Colour temperature – 2700K
- Available in A60, Ball and Candle shapes
- Energy class A+
- 15,000 hours average rated life
- Non dimmable
- 3 years warranty
- High colour rendering – CRI80

Code	Description	Voltage (V)	Fixture Power (W)	Luminous Flux (lm)	Efficacy (lm/W)	Luminous Intensity (cd)	Colour Temp (K)	CRI	Base	Average Rated Life (Hrs)	Power Factor	Equivalent Wattage (W)	Dimmable	Energy Class	Packaging Qty
<b>ToLEDo™ Step - Dim</b>															
0026999	ToLEDo™ Step-Dim A60 806lm	220-240	8,5	806	95	-	2700	80	E27	15,000	-	60	No	A+	6
0027035	ToLEDo™ Step-Dim Candle 470lm	220-240	5,5	470	85	-	2700	80	E14	15,000	-	40	No	A+	6
0027034	ToLEDo™ Step-Dim Ball 470lm	220-240	5,5	470	85	-	2700	80	E14	15,000	-	40	No	A+	6

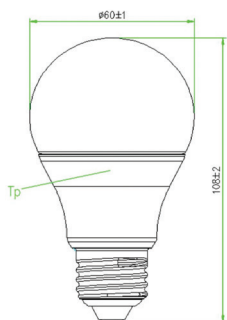


# ToLEDo™ Twin-Tone



- One lamp for all seasons
- Perfect for maintaining different settings for day and evening time
- Two different colour temperature options: Homelight – 2700K and Cool white – 4000K
- The change in colour temperature is controlled by standard on/off switch
  - Default colour temperature: homelight
  - Press the on/off switch again to change the colour temperature to cool white
- Available in A60 806lm
- Energy class A+
- 15,000 hours average rated life
- Non-dimmable
- 3 years warranty
- High colour rendering – CRI80

Code	Description	Voltage (V)	Fixture Power (W)	Luminous Flux (lm)	Efficacy (lm/W)	Luminous Intensity (cd)	Colour Temp (K)	CRI	Base	Average Rated Life (Hrs)	Power Factor	Equivalent Wattage (W)	Dimmable	Energy Class	Packaging Qty
<b>ToLEDo™ Twin-Tone</b>															
0026998	ToLEDo™ Twin-Tone 806lm	220-240	8	806	101	-	2700-4000	80	E27	15,000	-	60	No	A+	-

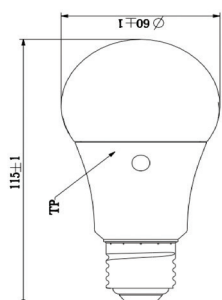


# ToLEDo™ Light-Sense



- ToLEDo™ Light-Sense dual light sensor lamp – works in any position
- Automatically turns ON and OFF when light level is below 300 lux
- Sensor delay time: up to 3.0 minutes
- Unmanned light management system – reduces power bill compared to standard LED lamps
- Perfect for external lighting applications like porches, domestic parking, halls, gate lights and patios
- 806lm output equivalent to 60W incandescent lamp
- Available in A60 shape
- Energy class A+
- 15,000 hours average rated life
- Non dimmable
- 3 years warranty
- High colour rendering – CRI80

Code	Description	Voltage (V)	Fixture Power (W)	Luminous Flux (lm)	Efficacy (lm/W)	Luminous Intensity (cd)	Colour Temp (K)	CRI	Base	Average Rated Life (Hrs)	Power Factor	Equivalent Wattage (W)	Dimmable	Energy Class	Packaging Qty
<b>ToLEDo™ Light - Sense</b>															
0027546	ToLEDo™ Light-Sense A60 806lm	220-240	8	806	101	-	2700	80	E27	15,000	0.5	60	No	A+	6



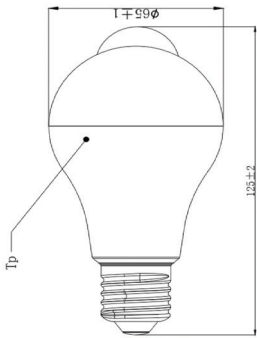


# ToLEDo™ Presence



- Smart lighting solution for energy savings
- Smart lighting solution for energy savings
- Automatic switching on / off when an infrared signal is detected
- Operation:
  - 40 seconds after the last detection: the lamp decreases its flow by 50%
  - 60 seconds without detection: the lamp goes into standby mode (it consumes 0.5W)
- The sensor can detect an infrared signal up to 3m (ideal solution for corridors, garages and entrances)
- Luminous flux of 1055lm equals a 75W incandescent lamp
- Color temperature: 3000K
- Life time: 15,000 hours
- 3 years warranty
- Does not work in closed luminaires
- Very good color rendering: CRI80

Code	Description	Voltage (V)	Fixture Power (W)	Luminous Flux (lm)	Efficacy (lm/W)	Luminous Intensity (cd)	Colour Temp (K)	CRI	Base	Average Rated Life (Hrs)	Power Factor	Equivalent Wattage (W)	Dimmable	Energy Class	Packaging Qty
<b>ToLEDo™ Presence</b>															
<b>0027547</b>	ToLEDo™ Presence A60 1055lm	220-240	12	1055	88	-	3000	80	E27	15,000	0.55	75	No	A+	6





# RefLED Superia Retro ES50



- Premium performance professional dimmable LED GU10 range with the same look and feel of traditional halogen GU10 lamp. Lumen output: 345lm - 580lm
- 25,000 hours average rated life
- 5 years warranty
- Dimmable versions with approved dimmers
- Premium performance professional LED GU10 range with the same look and feel of the traditional halogen GU10 lamp
- Full glass design - means no colours clashing between lamp and fixture
- COOLFIT functionality – ensures overheat and over temperature protection
- Recreates backlight effect similar to halogen dichroic lamp
- Available in three colour temperatures – 2700K, 3000K and 4000K – offering customers a choice of light colour to suit their needs
- High colour rendering: CRI80. CRI 90 versions available

Code	Description	Voltage (V)	Fixture Power (W)	Luminous Flux (lm)	Efficacy (lm/W)	Luminous Intensity (cd)	Colour Temp (K)	CRI	Base	Average Rated Life (Hrs)	Power Factor	Equivalent Wattage (W)	Dimmable	Energy Class	Packaging Qty
<b>RefLED Superia Retro ES50 - Non Dimmable</b>															
0029950	RefLED Superia Retro ES50 345lm 827 36° SL	220-240	4	345	86	700	2700	80	GU10	25,000	0.55	50	No	A++	6
0029951	RefLED Superia Retro ES50 345lm 830 36° SL	220-240	4	345	86	700	3000	80	GU10	25,000	0.55	50	No	A++	6
0029952	RefLED Superia Retro ES50 360lm 840 36° SL	220-240	4	360	90	750	4000	80	GU10	25,000	0.55	52	No	A++	6
0029954	RefLED Superia Retro ES50 450lm 827 36° SL	220-240	5	450	90	800	2700	80	GU10	25,000	0.55	64	No	A++	6
0029955	RefLED Superia Retro ES50 450lm 830 36° SL	220-240	5	450	90	800	3000	80	GU10	25,000	0.55	64	No	A++	6
0029956	RefLED Superia Retro ES50 475lm 840 36° SL	220-240	5	475	95	860	4000	80	GU10	25,000	0.55	67	No	A++	6
0029958	RefLED Superia Retro ES50 550lm 827 36° SL	220-240	6	550	92	1000	2700	80	GU10	25,000	0.55	77	No	A++	6
0029959	RefLED Superia Retro ES50 550lm 830 36° SL	220-240	6	550	92	1000	3000	80	GU10	25,000	0.55	77	No	A++	6
0029960	RefLED Superia Retro ES50 580lm 840 36° SL	220-240	6	580	97	1080	4000	80	GU10	25,000	0.55	81	No	A++	6
<b>RefLED Superia Retro ES50 - Dimmable</b>															
0029962	RefLED Superia Retro ES50 345lm DIM 827 36° SL	220-240	4,5	345	77	700	2700	80	GU10	25,000	0.7	50	Yes	A+	6
0029963	RefLED Superia Retro ES50 345lm DIM 830 36° SL	220-240	4,5	345	77	700	3000	80	GU10	25,000	0.7	50	Yes	A+	6
0029964	RefLED Superia Retro ES50 360lm DIM 840 36° SL	220-240	4,5	360	80	750	4000	80	GU10	25,000	0.7	52	Yes	A+	6
0029966	RefLED Superia Retro ES50 450lm DIM 827 36° SL	220-240	5,5	450	82	800	2700	80	GU10	25,000	0.7	64	Yes	A+	6
0029967	RefLED Superia Retro ES50 450lm DIM 830 36° SL	220-240	5,5	450	82	800	3000	80	GU10	25,000	0.7	64	Yes	A+	6
0029968	RefLED Superia Retro ES50 475lm DIM 840 36° SL	220-240	5,5	475	86	860	4000	80	GU10	25,000	0.7	67	Yes	A+	6
0029970	RefLED Superia Retro ES50 550lm DIM 827 36° SL	220-240	6,5	550	85	1000	2700	80	GU10	25,000	0.7	77	Yes	A+	6
0029971	RefLED Superia Retro ES50 550lm DIM 830 36° SL	220-240	6,5	550	85	1000	3000	80	GU10	25,000	0.7	77	Yes	A+	6
0029972	RefLED Superia Retro ES50 580lm DIM 840 36° SL	220-240	6,5	580	89	1080	4000	80	GU10	25,000	0.7	81	Yes	A+	6
<b>RefLED Superia Retro ES50 - Dimmable CRI 90</b>															
0029988	RefLED Superia Retro ES50 405lm DIM 927 36° SL	220-240	5,5	405	74	720	2700	90	GU10	25,000	0.7	58	Yes	A+	6
0029989	RefLED Superia Retro ES50 405lm DIM 930 36° SL	220-240	5,5	405	74	720	3000	90	GU10	25,000	0.7	58	Yes	A+	6
0029990	RefLED Superia Retro ES50 405lm DIM 940 36° SL	220-240	5,5	405	74	720	4000	90	GU10	25,000	0.7	58	Yes	A+	6

# RefLED ES50 V5 Non Dimmable



- Up to 90% energy saving
- Same shape and size as halogen lamps
- Wide choice of lumen packages :  
- 220-240V ES50/GU10 - 230lm, 345lm, 425lm and 620lm
- Compact Cluster SMD technology enabling high efficiency with halogen look
- Reduced visible heat sink from the front
- Available in different colour temperatures - 2700K, 3000K, 4000K and 6500K
- Available in 36 degree or Ultra-Wide 110 degree beam angles
- High efficacy up to 89lm/W
- ES50/GU10 lamps are available in dimmable and nondimmable versions
- 15,000 hours average rated life
- 3 year warranty

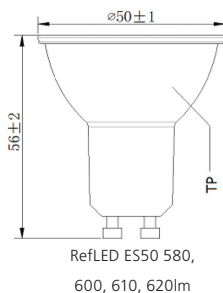
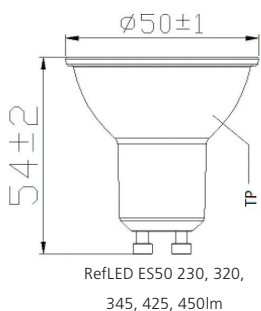
Code	Description	Voltage (V)	Fixture Power (W)	Luminous Flux (lm)	Efficacy (lm/W)	Luminous Intensity (cd)	Colour Temp (K)	CRI	Base	Average Rated Life (Hrs)	Power Factor	Equivalent Wattage (W)	Dimmable	Energy Class	Packaging Qty
<b>RefLED ES50 V5</b>															
<b>RefLED ES50 V5 230lm 36°</b>															
0027427	RefLED ES50 V5 230lm 830 36° SL	220-240	3.1	230	74	460	3000	80	GU10	15,000	0.4	35	No	A++	6
0027428	RefLED ES50 V5 230lm 840 36° SL	220-240	3.1	230	74	460	4000	80	GU10	15,000	0.4	35	No	A++	6
0027461	RefLED ES50 V5 230lm 865 36° SL	220-240	3.1	230	74	460	6500	80	GU10	15,000	0.4	35	No	A++	6
<b>RefLED ES50 V5 345lm 36°</b>															
0027432	RefLED ES50 V5 345lm 827 36° SL	220-240	4.2	345	82	770	2700	80	GU10	15,000	0.5	50	No	A+	6
0027433	RefLED ES50 V5 345lm 830 36° SL	220-240	4.2	345	82	770	3000	80	GU10	15,000	0.5	50	No	A+	6
0027315	RefLED ES50 V5 345lm 830 36° 15KH SL10	220-240	4.2	345	82	770	3000	80	GU10	15,000	0.5	50	No	A+	10
0027434	RefLED ES50 V5 345lm 840 36° SL	220-240	4.2	345	82	770	4000	80	GU10	15,000	0.5	50	No	A+	6
0027316	RefLED ES50 V5 345lm 840 36° 15KH SL10	220-240	4.2	345	82	770	4000	80	GU10	15,000	0.5	50	No	A+	10
0027435	RefLED ES50 V5 345lm 865 36° SL	220-240	4.2	345	82	770	6500	80	GU10	15,000	0.5	50	No	A+	6
0027317	RefLED ES50 V5 345lm 865 36° 15KH SL10	220-240	4.2	345	82	770	6500	80	GU10	15,000	0.5	50	No	A+	10
<b>RefLED ES50 V5 320lm 110°</b>															
0027445	RefLED ES50 V5 320lm 830 110° SL	220-240	4.2	320	76	155	3000	80	GU10	15,000	0.5	47	No	A+	6
0027472	RefLED ES50 V5 320lm 840 110° SL	220-240	4.2	320	76	155	4000	80	GU10	15,000	0.5	47	No	A+	6
0027473	RefLED ES50 V5 320lm 865 110° SL	220-240	4.2	320	76	155	6500	80	GU10	15,000	0.5	47	No	A+	6
<b>RefLED ES50 V5 425lm 36°</b>															
0027447	RefLED ES50 V5 425lm 830 36° SL	220-240	6.2	425	69	960	3000	80	GU10	15,000	0.5	60	No	A+	6
0027448	RefLED ES50 V5 425lm 840 36° SL	220-240	6.2	425	69	960	4000	80	GU10	15,000	0.5	60	No	A+	6
0027466	RefLED ES50 V5 425lm 865 36° SL	220-240	6.2	425	69	960	6500	80	GU10	15,000	0.5	60	No	A+	6
<b>RefLED ES50 V5 400lm 110°</b>															
0027455	RefLED ES50 V5 400lm 830 110° SL	220-240	6.2	400	65	195	3000	80	GU10	15,000	0.5	57	No	A+	6
0027456	RefLED ES50 V5 400lm 840 110° SL	220-240	6.2	400	65	195	4000	80	GU10	15,000	0.5	57	No	A+	6
<b>RefLED ES50 V5 610lm / 620lm 36°</b>															
0027462	RefLED ES50 V5 610lm 830 36° SL	220-240	7	610	87	1350	3000	80	GU10	15,000	0.5	85	No	A+	6
0027463	RefLED ES50 V5 610lm 840 36° SL	220-240	7	610	87	1350	4000	80	GU10	15,000	0.5	85	No	A+	6
0027468	RefLED ES50 V5 620lm 865 36° SL	220-240	7	620	89	1350	6500	80	GU10	15,000	0.5	85	No	A++	6
<b>RefLED ES50 V5 580lm / 600lm 110°</b>															
0027664	RefLED ES50 V5 580lm 830 110° SL	220-240	7	580	83	250	3000	80	GU10	15,000	0.5	81	No	A+	6
0027665	RefLED ES50 V5 600lm 840 110° SL	220-240	7	600	86	250	4000	80	GU10	15,000	0.5	83	No	A+	6
<b>RefLED ES50 V4 345lm 36° Non DIM</b>															
0028433	RefLED ES50 V4 5W 345lm 830 36° SL	220-240	5	345	-	580	3000	80	GU10	15,000	0.5	50	No	A+	6
0028434	RefLED ES50 V4 5W 345lm 840 36° SL	220-240	5	345	-	580	4000	80	GU10	15,000	0.5	50	No	A+	6
0028435	RefLED ES50 V4 5W 345lm 865 36° SL	220-240	5	345	69	950	6500	80	GU10	15,000	0.5	50	No	A+	6

# RefLED ES50 V5 Dimmable



- ES50 reflector LED lamp with white body - Base GU10
- Luminous flux: up to 610lm - High efficacy up to 86lm / W
- CRI > 80 - Available in 3000K/4000K/6500K
- Available in 36 degree beam angle
- Average rated life (L70B50) : 15.000 hours
- Available in dimmable and non dimmable versions
- Ideal for residential applications
- 3 year warranty

Code	Description	Voltage (V)	Fixture Power (W)	Luminous Flux (lm)	Efficacy (lm/W)	Luminous Intensity (cd)	Colour Temp (K)	CRI	Base	Average Rated Life (Hrs)	Power Factor	Equivalent Wattage (W)	Dimmable	Energy Class	Packaging Qty
<b>RefLED ES50</b>															
<b>RefLED ES50 V5 345lm 36° - DIM</b>															
0027399	RefLED ES50 V5 345lm DIM 827 36° SL	220-240	5	345	69	950	2700	80	GU10	15,000	0.5	50	Yes	A+	6
0027440	RefLED ES50 V5 345lm DIM 830 36° SL	220-240	5	345	69	950	3000	80	GU10	15,000	0.5	50	Yes	A+	6
0027442	RefLED ES50 V5 345lm DIM 840 36° SL	220-240	5	345	69	950	4000	80	GU10	15,000	0.5	50	Yes	A+	6
0027444	RefLED ES50 V5 345lm DIM 865 36° SL	220-240	5	345	69	950	6500	80	GU10	15,000	0.5	50	Yes	A+	6
<b>RefLED ES50 V5 425lm 36° DIM</b>															
0027451	RefLED ES50 V5 425lm DIM 830 36° SL	220-240	5.5	425	77	1050	3000	80	GU10	15,000	0.5	60	Yes	A+	6
0027452	RefLED ES50 V5 425lm DIM 840 36° SL	220-240	5.5	425	77	1050	4000	80	GU10	15,000	0.5	60	Yes	A+	6
0027467	RefLED ES50 V5 425lm DIM 865 36° SL	220-240	5.5	450	77	1050	6500	80	GU10	15,000	0.5	60	Yes	A+	6
<b>RefLED ES50 V5 610lm / 620lm 36° DIM</b>															
0027464	RefLED ES50 V5 610lm DIM 830 36° SL	220-240	7.8	610	78	1230	3000	80	GU10	15,000	0.8	85	Yes	A+	6
0027465	RefLED ES50 V5 610lm DIM 840 36° SL	220-240	7.8	610	78	1230	4000	80	GU10	15,000	0.8	85	Yes	A+	6
0027469	RefLED ES50 V5 620lm DIM 865 36° SL	220-240	7.8	620	79	1230	6500	80	GU10	15,000	0.8	86	Yes	A+	6
<b>RefLED ES50 V4 345lm 36° DIM</b>															
0028440	RefLED ES50 V4 345lm DIM 830 36° SL	220-240	5	345	-	580	3000	80	GU10	15,000	0.7	50	Yes	A+	6
0028442	RefLED ES50 V4 345lm DIM 840 36° SL	220-240	5	345	-	580	4000	80	GU10	15,000	0.7	50	Yes	A+	6
0028444	RefLED ES50 V4 345lm DIM 865 36° SL	220-240	5	345	-	580	6500	80	GU10	15,000	0.7	50	Yes	A+	6



# RefLED Retro PAR



RefLED Retro PAR16

- High performance LED PAR lamps with the same look and feel of traditional PAR lamps
- Glass construction - means no colours clashing between lamp and fixture
- Reduced visible heatsink from the front
- Up to 89% energy saving
- Mercury-free solution
- Lower maintenance cost
- RefLED Retro PAR range is available in dimmable version in PAR 20, PAR 30 and PAR 38 IP65 shapes
- RefLED PAR38 IP65 version is suitable for both indoor and outdoor application when used with correct luminaire
- RefLED PAR16 is available in nondimmable version with standard housing
- Lifetime: up to 25,000 hours
- High lumen efficacy
- Dimmable versions available on approved dimmers
- 3 year warranty
- Suitable for general lighting and accent lighting for hotels, restaurants, bars, lobbies, corridors and halls



RefLED Retro PAR20

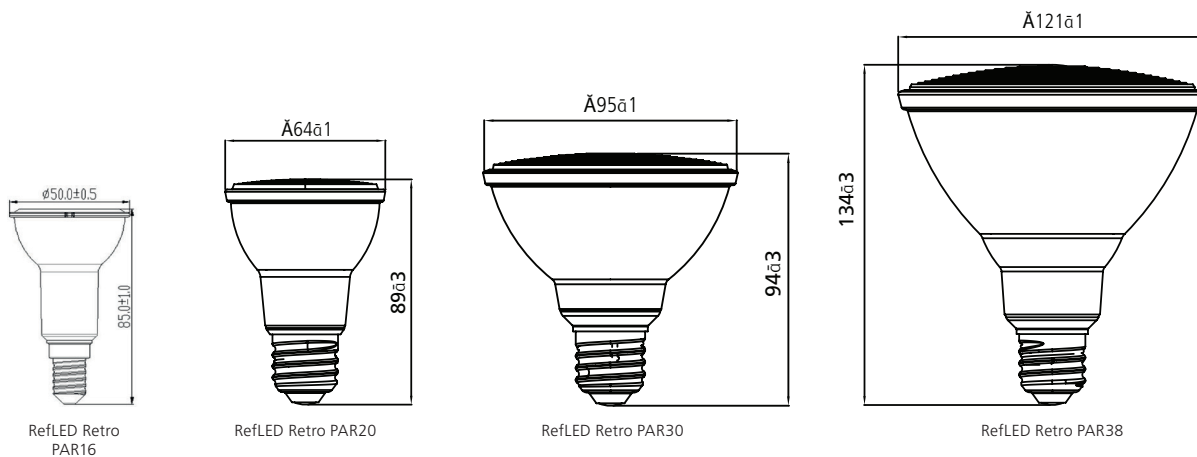


RefLED Retro PAR30



RefLED Retro PAR38

Code	Description	Voltage (V)	Fixture Power (W)	Luminous Flux (lm)	Efficacy (lm/W)	Luminous Intensity (cd)	Colour Temp (K)	CRI	Base	Average Rated Life (Hrs)	Power Factor	Equivalent Wattage (W)	Dimmable	Energy Class	Packaging Qty
<b>RefLED Retro PAR</b>															
0028269	RefLED Retro PAR20 DIM 540lm 830 36°	220-240	8	540	68	1200	3000	80	E27	25,000	0.9	70	Yes	A+	6
0028270	RefLED Retro PAR30 DIM 820lm 830 36°	220-240	11	820	75	1900	3000	80	E27	25,000	0.9	95	Yes	A+	6
0028271	RefLED Retro PAR38 DIM 1200lm 830 IP65 40°	220-240	15	1200	80	2400	3000	80	E27	25,000	0.9	140	Yes	A+	6
<b>RefLED PAR16</b>															
0026590	RefLED PAR16 345lm 830 36°	220-240	5	345	69	580	3000	80	E14	15,000	0.5	50	No	A+	6



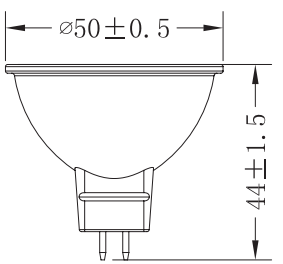


# RefLED Superia Retro MR16



- Premium performance professional LED MR16 range with the same look and feel of traditional halogen MR16 lamp
  - Recreates backlight effect similar to halogen dichroic lamps.
  - Full glass design - means no colours clashing between lamp and fixture
  - Very long lifetime of up to 25,000 hours
  - Power factor: 0.90
  - Switching cycles: >100,000
  - Colour rendering: CRI80
  - Lamp voltage: 12V AC/DC
  - Available in three colour temperatures – 2700K, 3000K and 4000K – offering customers a choice of light colour to suit their needs
  - Dimmable\*
  - Works with magnetic and compatible electronic transformers\*
  - Warranty: 5 Years
- \* with compatible dimmers and transformers

Code	Description	Voltage (V)	Fixture Power (W)	Luminous Flux (lm)	Efficacy (lm/W)	Luminous Intensity (cd)	Colour Temp (K)	CRI	Base	Average Rated Life (Hrs)	Power Factor	Equivalent Wattage (W)	Dimmable	Energy Class	Packaging Qty
<b>RefLED Superia Retro MR16 - Dimmable</b>															
0029415	RefLED Superia Retro MR16 345lm DIM 827 36° SL	12	5,2	345	66	650	2700	80	G5.3	25,000	0.9	35	Yes	A+	6
0029416	RefLED Superia Retro MR16 345lm DIM 830 36° SL	12	5,2	345	66	650	3000	80	G5.3	25,000	0.9	35	Yes	A+	6
0029417	RefLED Superia Retro MR16 380lm DIM 840 36° SL	12	5,2	380	73	650	4000	80	G5.3	25,000	0.9	37	Yes	A+	6
0029419	RefLED Superia Retro MR16 450lm DIM 827 36° SL	12	6,3	450	71	900	2700	80	G5.3	25,000	0.9	41	Yes	A+	6
0029420	RefLED Superia Retro MR16 450lm DIM 830 36° SL	12	6,3	450	71	900	3000	80	G5.3	25,000	0.9	41	Yes	A+	6
0029421	RefLED Superia Retro MR16 480lm DIM 840 36° SL	12	6,3	480	76	900	4000	80	G5.3	25,000	0.9	42	Yes	A+	6
0029423	RefLED Superia Retro MR16 621lm DIM 827 36° SL	12	7	621	89	1000	2700	80	G5.3	25,000	0.9	50	Yes	A+	6
0029424	RefLED Superia Retro MR16 621lm DIM 830 36° SL	12	7	621	89	1000	3000	80	G5.3	25,000	0.9	50	Yes	A+	6
0029425	RefLED Superia Retro MR16 621lm DIM 840 36° SL	12	7	621	89	1000	4000	80	G5.3	25,000	0.9	50	Yes	A+	6

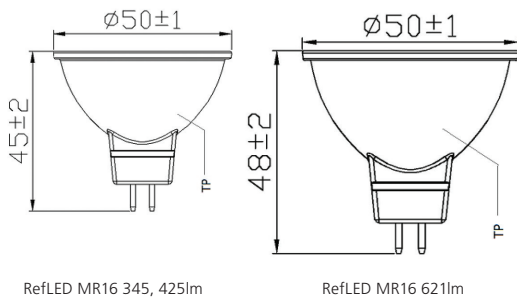


# RefLED MR16



- Up to 90% energy saving
- Same shape and size as halogen lamps
- Wide choice of lumen packages :  
- 12V MR16 – 345lm, 425lm and 621lm
- Compact Cluster SMD technology enabling high efficiency with halogen look
- Reduced visible heat sink from the front
- Available in different colour temperatures - 2700K, 3000K, 4000K and 6500K
- Available in 36 degree or Ultra-Wide 110 degree beam angles
- High efficacy up to 89lm/W
- 25,000 hours average rated life
- 3 year warranty

Code	Description	Voltage (V)	Fixture Power (W)	Luminous Flux (lm)	Efficacy (lm/W)	Luminous Intensity (cd)	Colour Temp (K)	CRI	Culot	Average Rated Life (Hrs)	Power Factor	Equivalent Wattage (W)	Dimmable	Energy Class	Packaging Qty
<b>RefLED MR16 V5</b>															
<b>RefLED MR16 V5 345lm</b>															
0026611	RefLED MR16 V5 345lm 827 36° SL	12	4.5	345	77	800	2700	80	GU5.3	15,000	0.5	35	No	A+	6
0026612	RefLED MR16 V5 345lm 830 36° SL	12	4.5	345	77	800	3000	80	GU5.3	15,000	0.5	35	No	A+	6
0026613	RefLED MR16 V5 345lm 840 36° SL	12	4.5	345	77	800	4000	80	GU5.3	15,000	0.5	35	No	A+	6
0026695	RefLED MR16 V5 345lm 865 36° SL	12	4.5	345	77	800	6500	80	GU5.3	15,000	0.5	35	No	A+	6
<b>RefLED MR16 V5 425lm</b>															
0026616	RefLED MR16 V5 425lm 830 36° SL	12	5	425	85	1050	3000	80	GU5.3	15,000	0.5	39	No	A+	6
0026617	RefLED MR16 V5 425lm 840 36° SL	12	5	425	85	1050	4000	80	GU5.3	15,000	0.5	39	No	A+	6
0026696	RefLED MR16 V5 425lm 865 36° SL	12	5	425	85	1050	4000	80	GU5.3	15,000	0.5	39	No	A+	6
<b>RefLED MR16 V5 621lm</b>															
0026764	RefLED MR16 V5 621lm 830 36° SL	12	7,5	621	83	1200	3000	80	GU5.3	15,000	0.5	50	No	A+	6
0026765	RefLED MR16 V5 621lm 840 36° SL	12	7,5	621	83	1200	4000	80	GU5.3	15,000	0.5	50	No	A+	6
0026766	RefLED MR16 V5 621lm 865 36° SL	12	7,5	621	83	1200	6500	80	GU5.3	15,000	0.5	50	No	A+	6

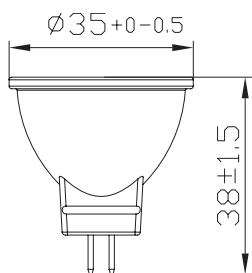


# RefLED Retro MR11



- LED MR11 range with the same look and feel of traditional halogen MR11 lamp
- Up to 88% energy saving
- Full glass design - means no colours clashing between lamp and fixture
- Available in 36 degree beam angle
- 15,000 hours average rated life
- Switching cycles: 50,000
- Colour rendering: CRI80
- Lamp voltage: 12V AC/DC
- Works with magnetic and compatible electronic transformers\*
- Warranty: 3 Years

Code	Description	Voltage (V)	Fixture Power (W)	Luminous Flux (lm)	Efficacy (lm/W)	Luminous Intensity (cd)	Colour Temp (K)	CRI	Base	Average Rated Life (Hrs)	Power Factor	Equivalent Wattage (W)	Dimmable	Energy Class	Packaging Qty
<b>RefLED Retro MR11</b>															
0028264	RefLED Retro MR11 185lm 3000K 36° SL	12	2.5	184	74	400	3000	80	GU4	15,000	0.5	20	No	A++	10
0028266	RefLED Retro MR11 345lm 3000K 36° SL	12	4	345	86	600	3000	80	GU4	15,000	0.5	35	No	A++	10



# ToLEDo™ Superia T8

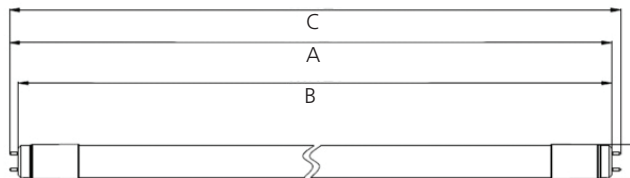


Magnetic version & AC

- 50,000 hours average rated life (L70 F50) - last 2.5 times longer than conventional linear fluorescent T8 lamps
- Available in 1200mm and 1500mm lengths
- High switching cycles - 200,000X
- High lumen package - up to 4100lm
- High lumen efficacy - up to 172lm/W
- Better uniformity and light transmittance - no dark spots
- Minimum and maximum operating temperature : -20°C to 55°C
- Colour temperature: 3000K, 4000K and 6500K
- Same construction and design as traditional fluorescent lamps - glass housing and metal end-caps
- Not suitable for operation with electronic/ECG ballast
- Suitable for direct mains operation (AC 220-240V)
- Must replace the fluorescent starter with LED dummy starter when operated with magnetic/CCG ballast

Code	Description	Voltage (V)	Fixture Power (W)	Luminous Flux (lm)	Efficacy (lm/W)	Luminous Intensity (cd)	Colour Temp (K)	CRI	Base	Average Rated Life (Hrs)	Power Factor	Equivalent Wattage (W)	Dimmable	Energy Class	Packaging Qty
<b>ToLEDo™ Superia T8 Magnetic &amp; AC (mains voltage)</b>															
<b>1200mm</b>															
0028388	ToLEDo™ Superia T8 V5 4FT - 1200mm 2760lm 18W 830	220-240	15,5	2200	142	-	3000	80	G13	50,000	0.88	36	No	A++	10
0028389	ToLEDo™ Superia T8 V5 4FT - 1200mm 3100lm 18W 840	220-240	15,5	2400	155	-	4000	80	G13	50,000	0.88	36	No	A++	10
0028390	ToLEDo™ Superia T8 V5 4FT - 1200mm 3100lm 18W 865	220-240	15,5	2400	155	-	6500	80	G13	50,000	0.88	36	No	A++	10
<b>1500mm</b>															
0028394	ToLEDo™ Superia T8 V5 5FT - 1500mm 3850lm 24W 830	220-240	20,6	2850	138	-	3000	80	G13	50,000	0.88	58	No	A++	10
0028395	ToLEDo™ Superia T8 V5 5FT - 1500mm 4100lm 24W 840	220-240	20,6	3100	150	-	4000	80	G13	50,000	0.88	58	No	A++	10
0028396	ToLEDo™ Superia T8 V5 5FT - 1500mm 4100lm 24W 865	220-240	20,6	3100	150	-	6500	80	G13	50,000	0.88	58	No	A++	10

Max length	A	B	C
1200mm	1198	1206	1213
1500mm	1499	1506	1513





# ToLEDo™ T8

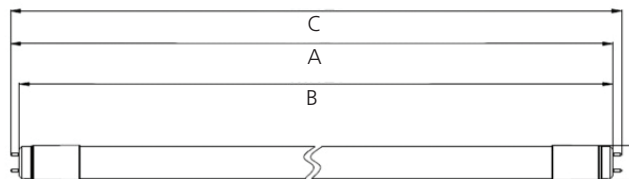


ToLEDo™ T8

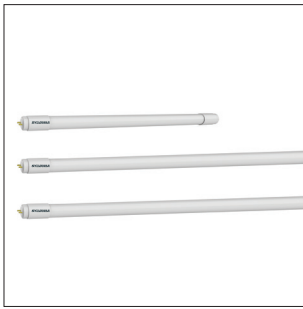
- Available in 600mm, 1200mm and 1500mm lengths
- 20,000 hours average rated life (L70 F50) - up to 66% reduction in power consumption compared to tri-phosphor T8 lamps
- Good lumen efficacy - 100lm/W
- Omni-directional light distribution and wide beam angle
- Minimum and maximum operating temperature : -20°C to 55°C
- Colour temperature: 3000K, 4000K and 6500K
- Same construction and design as traditional fluorescent lamps - glass housing and metal end-caps
- Not suitable for HF electronic ballast
- Suitable for direct mains operation (AC 220-240V)
- Must replace the fluorescent starter with LED dummy starter when operated with magnetic/ CCG ballast

Code	Description	Voltage (V)	Fixture Power (W)	Luminous Flux (lm)	Efficacy (lm/W)	Luminous Intensity (cd)	CRI	Base	Average Rated Life (Hrs)	Power Factor	Equivalent Wattage (W)	Dimmable	Energy Class	Packaging Qty
<b>ToLEDo™ T8 Magnetic &amp; AC (mains voltage) 20K</b>														
<b>600mm</b>														
0028229	ToLEDo™ T8 Glass 730lm 830 600mm	220-240	8	730	91	3000	80	G13	20,000	0.5	18	No	A+	10
0028230	ToLEDo™ T8 Glass 800lm 840 600mm	220-240	8	800	100	4000	80	G13	20,000	0.5	18	No	A+	10
0028231	ToLEDo™ T8 Glass 800lm 865 600mm	220-240	8	800	100	6500	80	G13	20,000	0.5	18	No	A+	10
<b>1200mm</b>														
0028232	ToLEDo™ T8 Glass 1470lm 830 1200mm	220-240	16	1470	92	3000	80	G13	20,000	0.5	36	No	A+	10
0028233	ToLEDo™ T8 Glass 1600lm 840 1200mm	220-240	16	1600	100	4000	80	G13	20,000	0.5	36	No	A+	10
0028234	ToLEDo™ T8 Glass 1600lm 865 1200mm	220-240	16	1600	100	6500	80	G13	20,000	0.5	36	No	A+	10
<b>1500mm</b>														
0028235	ToLEDo™ T8 Glass 1840lm 830 1500mm	220-240	20	1840	117	3000	80	G13	20,000	0.5	58	No	A+	10
0028236	ToLEDo™ T8 Glass 2000lm 840 1500mm	220-240	20	2000	121	4000	80	G13	20,000	0.5	58	No	A+	10
0028237	ToLEDo™ T8 Glass 2000lm 865 1500mm	220-240	20	2000	121	6500	80	G13	20,000	0.5	58	No	A+	10
<b>ToLEDo™ T8 Magnetic &amp; AC (mains voltage) special lengths</b>														
<b>900mm</b>														
0027781	ToLEDo T8 V4 Glass 1450lm 840 900mm	220-240	12	1450	100	4000	80	G13	50,000	0.9	30	No	A+	10
0027782	ToLEDo T8 V4 Glass 1450lm 865 900mm	220-240	12	1450	100	6500	80	G13	50,000	0.9	30	No	A+	10

Max length	A	B	C
600mm	597	590	604
900mm	901	895	908
1200mm	1206	1199	1213
1500mm	1507	1500	1514



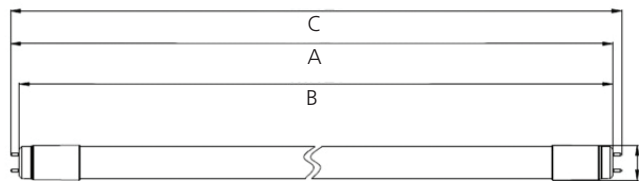
# ToLEDo™ Superia T8 Universal



- 60,000 hours average rated life (L70 F50) – last three times longer than standard fluorescent T8 Tri-phosphor lamp
- Available in 600mm, 1200mm and 1500mm lengths
- High switching cycles – 200,000X
- Up to -59% energy savings compared to the standard fluorescent lamp
- High lumen efficacy – up to 150lm/W
- Omni-directional light distribution and wide beam angle.
- Minimum and maximum operating temperature : -20°C to 55°C
- Colour temperature: 3000K, 4000K and 6500K
- Glass construction and polycarbonate end-caps
- Must replace the fluorescent starter with LED dummy starter when used with magnetic/ CCG ballast
- Works only with compatible electronic ballasts. Please refer Sylvania website for full list of compatible ballasts

Code	Description	Voltage (V)	Fixture Power (W)	Luminous Flux (lm)	Efficacy (lm/W)	Luminous Intensity (cd)	Colour Temp (K)	CRI	Base	Average Rated Life (Hrs)	Power Factor	Equivalent Wattage (W)	Dimmable	Energy Class	Packaging Qty
<b>ToLEDo™ Superia T8 Universal</b>															
<b>600mm</b>															
0027887	ToLEDo™ Superia T8 UNI 2FT 600mm 1050lm 830	220-240	7,5	1050	140	-	3000	80	G13	60,000	0.8	18	No	A++	10
0027888	ToLEDo™ Superia T8 UNI 2FT 600mm 1100lm 840	220-240	7,5	1100	147	-	4000	80	G13	60,000	0.8	18	No	A++	10
0027889	ToLEDo™ Superia T8 UNI 2FT 600mm 1100lm 865	220-240	7,5	1100	147	-	6500	80	G13	60,000	0.8	18	No	A++	10
<b>1200mm</b>															
0027890	ToLEDo™ Superia T8 UNI 4FT 1200mm 2200lm 830	220-240	16	2200	138	-	3000	80	G13	60,000	0.93	36	No	A++	10
0027891	ToLEDo™ Superia T8 UNI 4FT 1200mm 2400lm 840	220-240	16	2400	150	-	4000	80	G13	60,000	0.93	36	No	A++	10
0027892	ToLEDo™ Superia T8 UNI 4FT 1200mm 2400lm 865	220-240	16	2400	150	-	6500	80	G13	60,000	0.93	36	No	A++	10
<b>1500mm</b>															
0027893	ToLEDo™ Superia T8 UNI 5FT 1500mm 3300lm 830	220-240	24	3300	138	-	3000	80	G13	60,000	0.94	58	No	A++	10
0027894	ToLEDo™ Superia T8 UNI 5FT 1500mm 3600lm 840	220-240	24	3600	150	-	4000	80	G13	60,000	0.94	58	No	A++	10
0027895	ToLEDo™ Superia T8 UNI 5FT 1500mm 3600lm 865	220-240	24	3600	150	-	6500	80	G13	60,000	0.94	58	No	A++	10

Max length	A	B	C
600mm	589	596	603
1200mm	1198	1206	1213
1500mm	1499	1506	1514



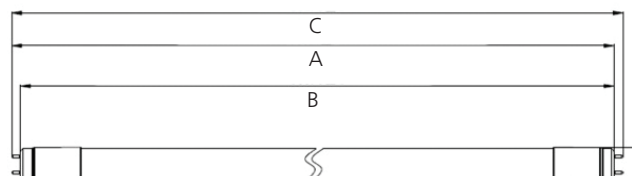
# ToLEDo™ Superia T5



- 60,000 hours average rated lifetime – last 3 times longer than standard fluorescent tri-phosphor T5 lamps
- Available in 1149mm and 1449mm lengths in both HO and HE version
- High switching cycles – 200,000X
- Up to -54% energy saving compared to the standard T5 lamp
- High lumen efficacy - up to 162lm/W
- Omni-directional light distribution and wide beam angle
- Minimum and maximum operating temperature: -20°C to 50°C
- Colour temperature: 3000K, 4000K and 6500K
- Glass construction and polycarbonate end-caps
- Not suitable for direct mains (AC 220-240V) or magnetic/ CCG ballast
- Works only with compatible electronic ballasts. Please refer Sylvania website for full list of compatible ballasts

Code	Description	Voltage (V)	Fixture Power (W)	Luminous Flux (lm)	Efficacy (lm/W)	Luminous Intensity (cd)	Colour Temp (K)	CRI	Base	Average Rated Life (Hrs)	Power Factor	Equivalent Wattage (W)	Dimmable	Energy Class	Packaging Qty
<b>ToLEDo™ Superia T5</b>															
<b>1149mm HE</b>															
0029504	ToLEDo™ Superia T5 HE 2200lm - 1149mm 830	220-240	16	2200	138	-	3000	80	G5	60,000	0.89	28	No	A++	10
0029505	ToLEDo™ Superia T5 HE 2400lm - 1149mm 840	220-240	16	2400	150	-	4000	80	G5	60,000	0.89	28	No	A++	10
0029506	ToLEDo™ Superia T5 HE 2400lm - 1149mm 865	220-240	16	2400	150	-	6500	80	G5	60,000	0.89	28	No	A++	10
<b>1149mm HO</b>															
0029507	ToLEDo™ Superia T5 HO 3700lm - 1149mm 830	220-240	27	3700	137	-	3000	80	G5	60,000	0.92	54	No	A++	10
0029508	ToLEDo™ Superia T5 HO 4100lm - 1149mm 840	220-240	27	4100	152	-	4000	80	G5	60,000	0.92	54	No	A++	10
0029509	ToLEDo™ Superia T5 HO 4100lm - 1149mm 865	220-240	27	4100	152	-	6500	80	G5	60,000	0.92	54	No	A++	10
<b>1449mm HE</b>															
0029510	ToLEDo™ Superia T5 HE 2600lm - 1449mm 830	220-240	18,5	2600	141	-	3000	80	G5	60,000	0.92	35	No	A++	10
0029511	ToLEDo™ Superia T5 HE 2800lm - 1449mm 840	220-240	18,5	2800	151	-	4000	80	G5	60,000	0.92	35	No	A++	10
0029512	ToLEDo™ Superia T5 HE 2800lm - 1449mm 865	220-240	18,5	2800	151	-	6500	80	G5	60,000	0.92	35	No	A++	10
<b>1449mm HO</b>															
0029513	ToLEDo™ Superia T5 HO 4050lm - 1449mm 830	220-240	26	4050	156	-	3000	80	G5	60,000	0.92	49	No	A++	10
0029514	ToLEDo™ Superia T5 HO 4200lm - 1449mm 840	220-240	26	4200	162	-	4000	80	G5	60,000	0.92	49	No	A++	10
0029515	ToLEDo™ Superia T5 HO 4200lm - 1449mm 865	220-240	26	4200	162	-	6500	80	G5	60,000	0.92	49	No	A++	10
<b>1449mm HO</b>															
0029516	ToLEDo™ Superia T5 HO 5150lm - 1449mm 830	220-240	37	5150	139	-	3000	80	G5	60,000	0.92	80	No	A++	10
0029517	ToLEDo™ Superia T5 HO 5600lm - 1449mm 840	220-240	37	5600	151	-	4000	80	G5	60,000	0.92	80	No	A++	10
0029518	ToLEDo™ Superia T5 HO 5600lm - 1449mm 865	220-240	37	5600	151	-	6500	80	G5	60,000	0.92	80	No	A++	10

Maximum length	A	B	C
1200mm	1148	1155	1162
1500mm	1448	1455	1462



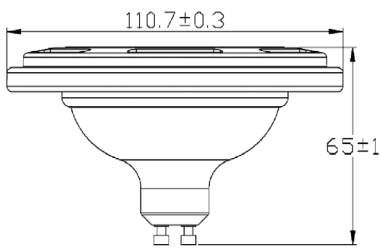


# RefLED ES111



- Compact design, same diameter as the halogen lamp
- High lumen output - 1000lm
- Stippled lens to help reduce glare and recreate the halogen light effect
- 25 degree beam angle
- High lumen intensity – 4500 cd
- 90% energy saving – A+ EEL rating.
- 11.5 W equivalent to 122W
- Dimmable
- 25,000 hours average rated life, last 12.5 times longer than halogen alternatives
- 0.90 power factor
- > 50,000X switching cycle
- High lumen efficacy –87 lm/W
- CRI 80

Code	Description	Voltage (V)	Fixture Power (W)	Luminous Flux (lm)	Efficacy (lm/W)	Luminous Intensity (cd)	Colour Temp (K)	CRI	Base	Average Rated Life (Hrs)	Power Factor	Equivalent Wattage (W)	Dimmable	Energy Class	Packaging Qty
<b>RefLED ES111</b>															
<b>0027636</b>	RefLED ES111 V1 1000lm DIM 830 25° SL	220-240	11,5	1000	87	4500	3000	80	GU10	25,000	0.9	115	Yes	A++	6



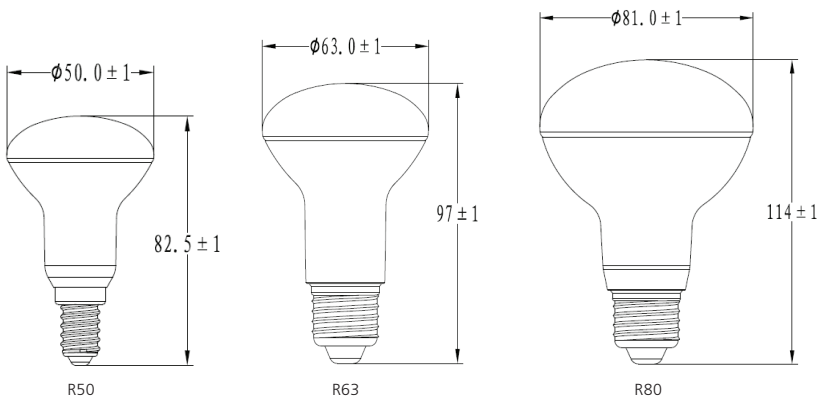


# RefLED R50/ R63/ R80



- Energy efficient LED alternative for traditional incandescent and halogen reflector lamps
- Modern construction and attractive design
- Up to 88% energy saving
- High lumen efficacy: up to 94 lm/W
- Mercury free solution
- Long average lifetime: 15,000 hours
- Lower maintenance cost compared to traditional lamps
- Non-dimmable
- 3-year warranty
- Easy to install and fit perfectly with existing luminaires
- Perfect for general lighting applications: residential lighting, downlights, hotels, hotels, restaurants, bars, lobbies, corridors, halls etc

Code	Description	Voltage (V)	Fixture Power (W)	Luminous Flux (lm)	Efficacy (lm/W)	Luminous Intensity (cd)	Colour Temp (K)	CRI	Base	Average Rated Life (Hrs)	Power Factor	Equivalent Wattage (W)	Dimmable	Energy Class	Packaging Qty
<b>RefLED™ Reflector V3</b>															
<b>RefLED™ R50 V3</b>															
<b>0028411</b>	RefLED R50 V3 470lm 830 E14 SL	220-240	5	470	94	136	3000	80	E14	15,000	0.5	40	No	A+	6
<b>RefLED™ R63 V3</b>															
<b>0028412</b>	RefLED R63 V3 630lm 830 E27 SL	220-240	7	630	80	187	3000	80	E27	15,000	0.5	50	No	A+	6
<b>RefLED™ R80 V3</b>															
<b>0028413</b>	RefLED R80 V3 806lm 830 E27 SL	220-240	9	806	90	198	3000	80	E27	15,000	0.5	60	No	A+	6

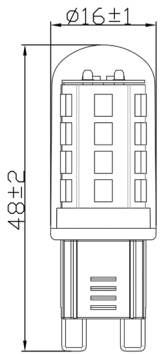


# ToLEDo™ G4 and G9



- LED retrofit replacement for traditional halogen mains and low voltage capsules
- Compact design
- 300° omni-directional light distribution
- High lumen efficacy: up to 134lm/W
- Up to 90% energy saving
- A++ energy rating
- Non Dimmable
- Suitable for chandeliers, interior display, shop windows, decorative and general lighting applications

Code	Description	Voltage (V)	Fixture Power (W)	Luminous Flux (lm)	Efficacy (lm/W)	Luminous Intensity (cd)	Colour Temp (K)	CRI	Base	Average Rated Life (Hrs)	Power Factor	Equivalent Wattage (W)	Dimmable	Energy Class	Packaging Qty
<b>ToLEDo™ G9</b>															
0028476	ToLEDo™ G9 250lm 827	220-240	2	250	125	-	2700	80	G9	15,000	0.9	21	No	A++	10
0028479	ToLEDo™ G9 470lm 827	220-240	3,5	470	134	-	2700	80	G9	15,000	0,5	35	No	A++	10
<b>ToLEDo™ G4</b>															
0026514	ToLEDo™ G4 200lm 827	220-240	2,2	200	91	-	2700	80	G4	15,000	0,5	21	No	A++	10



ToLEDo™ G9 250lm

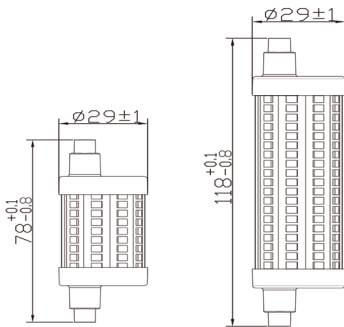


# ToLEDo™ R7s



- 330° omni-directional light distribution • High lumen efficacy: up to 133lm/W
- Up to 89% energy saving
- A++ energy rating
- Robust construction
- Available in 78mm and 118mm
- The dimming functionality creates a cosy and warm environment, similar to halogen R7s lamps
- Average rated life:
  - 15,000h (non-dimmable)
  - 25,000h (dimmable)
- Ideal for domestic and commercial applications

Code	Description	Voltage (V)	Fixture Power (W)	Luminous Flux (lm)	Efficacy (lm/W)	Luminous Intensity (cd)	Colour Temp (K)	CRI	Base	Average Rated Life (Hrs)	Power Factor	Equivalent Wattage (W)	Dimmable	Energy Class	Packaging Qty
<b>ToLEDo™ R7s</b>															
<b>78mm</b>															
<b>0026873</b>	ToLEDo™ R7S 78mm 1055lm DIM 827	220-240	8	1055	132	-	2700	80	-	25,000	0.9	75	Yes	A++	6
<b>118mm</b>															
<b>0026874</b>	ToLEDo™ R7S 118mm 1521lm 827	220-240	12,5	1521	122	-	2700	80	-	15,000	0.5	100	No	A++	6
<b>0026876</b>	ToLEDo™ R7S 118mm 2000lm DIM 827	220-240	15	2000	133	-	2700	80	-	25,000	0.9	126	Yes	A++	6

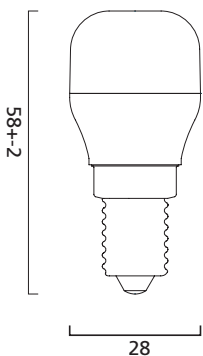


# ToLEDo™ Pygmy



- Very compact 2.5W LED lamp - Base E14
- Satin finish for even distribution
- Luminous flux: 160lm - Efficiency 89lm / W
- CRI> 80 - Color temperature: 3000K
- Average life: 25,000 hours
- Ideal for special applications (refrigerator, night light ...)
- 3 years warranty

Code	Description	Voltage (V)	Fixture Power (W)	Luminous Flux (lm)	Efficacy (lm/W)	Luminous Intensity (cd)	Colour Temp (K)	CRI	Base	Average Rated Life (Hrs)	Power Factor	Equivalent Wattage (W)	Dimmable	Energy Class	Packaging Qty
<b>ToLEDo™ Pygmy</b>															
<b>0026844</b>	ToLEDo™ Pygmy 160lm 830	220-240	1,8	160	89	-	3000	80	E14	25,000	0.4	17	No	A+	6





# ToLEDo™ Microlynx



Micro-Lynx LED Clear (front view)

- Compact LED lamp between 3W and 4.5W - Base GX53
- Diameter 75mm
- High luminous flux up to 470lm - Luminous efficiency up to 104lm / W
- CRI> 80 - Color Temperature: Warm White (3000K) or Neutral White (4000K)
- Integrated electronic driver
- Operating temperature from -25°C to + 60°C
- Available in 2 versions: clear or frosted
- Life time: 15,000 hours (L70B50)
- 3 years warranty

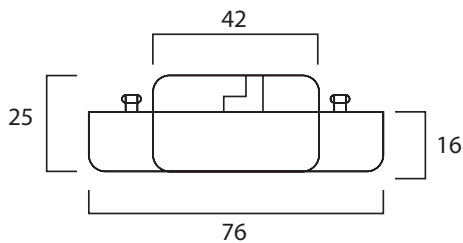


Micro-Lynx LED Frosted (front view)



Micro-Lynx LED Frosted (side view)

Code	Description	Voltage (V)	Fixture Power (W)	Luminous Flux (lm)	Efficacy (lm/W)	Luminous Intensity (cd)	Colour Temp (K)	CRI	Base	Average Rated Life (Hrs)	Power Factor	Equivalent Wattage (W)	Dimmable	Energy Class	Packaging Qty
<b>ToLEDo™ Microlynx</b>															
0026780	ToLEDo™ Microlynx LED 4W Clear 830 3000K GX53	220-240	3	250	84	-	3000	80	GX53	15,000	0.5	25	No	A++	6
0026781	ToLEDo™ Microlynx LED 4W Clear 840 4000K GX53	220-240	3	260	87	-	4000	80	GX53	15,000	0.5	25	No	A++	6
0026783	ToLEDo™ Microlynx LED 3W Frosted 830 3000K GX53	220-240	3	250	84	-	3000	80	GX53	15,000	0.5	25	No	A++	6
0026666	ToLEDo™ Microlynx LED 3W Frosted 840 4000K GX53	220-240	3	260	87	-	4000	80	GX53	15,000	0.5	25	No	A++	6
0026784	ToLEDo™ Microlynx 470lm Clear 830	220-240	4,6	470	102	-	3000	80	GX53	15,000	0.4	40	No	A++	6
0026786	ToLEDo™ Microlynx 470lm Clear 840	220-240	4,6	470	102	-	4000	80	GX53	15,000	0.4	40	No	A++	6
0026785	ToLEDo™ Microlynx 470lm Frosted 830	220-240	4,6	470	102	-	3000	80	GX53	15,000	0.4	40	No	A++	6
0026787	ToLEDo™ Microlynx 470lm Frosted 840	220-240	4,6	470	102	-	4000	80	GX53	15,000	0.4	40	No	A++	6



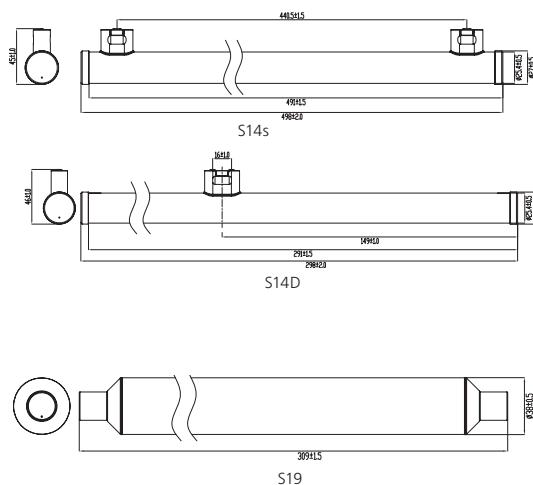
# ToLEDo™ Striplight



- LED Striplight replacement for incandescent lamp
- Different caps available; S14s, S14d, S19, S15
- 3.5W equivalent to 35W. 6W equivalent to 60W. Massive energy savings
- CRI > 80
- Available in 2700K homelight
- 15,000 hours life and up to 530lm
- 3 years warranty

Code	Description	Voltage (V)	Fixture Power (W)	Luminous Flux (lm)	Efficacy (lm/W)	Luminous Intensity (cd)	Colour Temp (K)	CRI	Base	Average Rated Life (Hrs)	Power Factor	Equivalent Wattage (W)	Dimmable	Energy Class	Packaging Qty
<b>ToLEDo™ Striplight</b>															
<b>S14s</b>															
0026851	ToLEDo™ Striplight 300mm 3,5W 280lm S14S SL	200-240	3,5	280	80	-	2700	80	S14s	15,000	0.5	35	No	A+	6
0026852	ToLEDo™ Striplight V2 500mm 5W 420lm S14S SL	200-240	5	420	84	-	2700	80	S14s	15,000	0.5	60	No	A+	6
<b>S14d</b>															
0026853	ToLEDo™ Striplight V2 300mm 3,5W 280lm S14D SL	200-240	3,5	280	80	-	2700	80	S14d	15,000	0.5	35	No	A+	6
0026854	ToLEDo™ Striplight V2 500mm 5W 420lm S14D SL	200-240	5	420	84	-	2700	80	S14d	15,000	0.5	60	No	A+	6
<b>S15s</b>															
0026856	ToLEDo™ Striplight V2 221mm 3,5W 280lm S15S SL	200-240	3,5	280	80	-	2700	80	S15s	15,000	0.5	35	No	A+	6
0026857	ToLEDo™ Striplight V2 284mm 3,5W 280lm S15S SL	200-240	3,5	280	80	-	2700	80	S15s	15,000	0.5	35	No	A+	6
<b>S19</b>															
0026855	ToLEDo™ Striplight 309mm 6W 530lm S19 SL	200-240	6	530	88	-	2700	80	S19	15,000	0.5	60	No	A+	6

Lamp	Dimensions (mm)	
0026851	L	300
	D	27.5
0026852	L	500
	D	27.5
0026853	L	300
	D	27.5
0026854	L	500
	D	27.5
0026856	L	221
	D	27.5
0026857	L	284
	D	27.5
0026855	L	310.5
	D	38.5

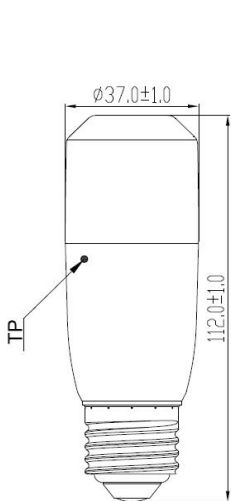


# ToLEDo™ Stick

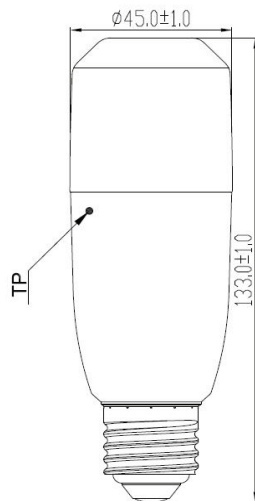


- Quick and easy replacement of 40W, 75W, 60W & 100W incandescent lamp
- 15,000H average rated life – last 15X longer than incandescent/halogen lamps
- Up to 80% energy savings compared to incandescent
- Last 50% longer and consume 45% less energy compared to CFL lamps
- A+ Energy rating - up to 123 lm/W
- Omni-directional light distribution
- Non-dimmable

Code	Description	Voltage (V)	Fixture Power (W)	Luminous Flux (lm)	Efficacy (lm/W)	Luminous Intensity (cd)	Colour Temp (K)	CRI	Base	Average Rated Life (Hrs)	Power Factor	Equivalent Wattage (W)	Dimmable	Energy Class	Packaging Qty
<b>ToLEDo™ Stick</b>															
0029923	ToLEDo Stick V2 470lm 827 E27 SL	220-240	6	470	78	-	2700	80	E27	15,000	0.5	40	No	A+	10
0029927	ToLEDo Stick V2 500lm 840 E27 SL	220-240	6	500	83	-	4000	80	E27	15,000	0.5	42	No	A+	10
0029924	ToLEDo Stick V2 810lm 827 E27 SL	220-240	9	810	90	-	2700	80	E27	15,000	0.5	60	No	A+	10
0029928	ToLEDo Stick V2 850lm 840 E27 SL	220-240	9	850	94	-	4000	80	E27	15,000	0.5	63	No	A+	10
0029925	ToLEDo Stick V2 1055lm 827 E27 SL	220-240	11	1055	96	-	2700	80	E27	15,000	0.5	75	No	A+	10
0029929	ToLEDo Stick V2 1150lm 840 E27 SL	220-240	11	1150	105	-	4000	80	E27	15,000	0.5	80	No	A+	10
0029926	ToLEDo Stick V2 1521lm 827 E27 SL	220-240	13	1521	117	-	2700	80	E27	15,000	0.5	100	No	A+	10
0029930	ToLEDo Stick V2 1600lm 840 E27 SL	220-240	13	1600	123	-	4000	80	E27	15,000	0.5	104	No	A++	10



ToLEDo™ Stick 6W and 9W



ToLEDo™ Stick 11W and 13W



# ToLEDo™ Performer T-Series

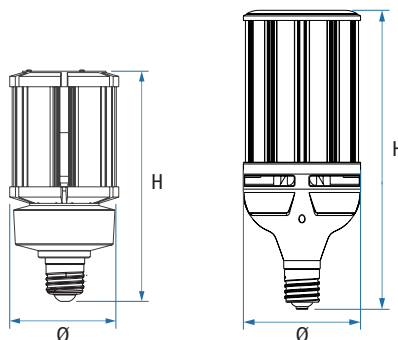


- Direct retrofit replacement for high-pressure mercury vapor lamps (HPMV)
- 50,000 hours average rated lifetime
- Up to 78% energy saving compared to the standard high-pressure mercury vapor lamps
- Mercury-free solution
- Lower maintenance cost
- High lumen efficacy - up to 131lm/W
- Dual operating mode – compatible with HPMV magnetic ballast and also, suitable for AC direct mains 100-240V operation
- High surge voltage protection: 4kV
- Suitable for both open and enclosed luminaires
- Wide light distribution
- High switching cycles – 200,000X
- High colour rendering – CRI80
- Minimum and maximum operating temperature: -30°C to 50°C

Code	Description	Voltage (V)	Fixture Power (W)	Luminous Flux (lm)	Efficacy (lm/W)	Luminous Intensity (cd)	Colour Temp (K)	CRI	Base	Average Rated Life (Hrs)	Power Factor	Equivalent Wattage (W)	Dimmable	Energy Class	Packaging Qty
<b>ToLEDo™ Performer T-Series</b>															
0028369	ToLEDo Performer T60 2300lm 840 E27 SL	100-240	18	2300	128	-	4000	80	E27	50,000	0.95	140	No	A++	6
0028370	ToLEDo Performer T60 3400lm 840 E27 SL	100-240	27	3400	126	-	4000	80	E27	50,000	0.95	195	No	A++	6
0028371	ToLEDo Performer T85 4500lm 840 E27 SL	100-240	36	4500	125	-	4000	80	E27	50,000	0.95	250	No	A++	6
0028373	ToLEDo Performer T85 6800lm 840 E40 SL	100-240	54	6800	126	-	4000	80	E40	50,000	0.95	365	No	A++	6
0028375	ToLEDo Performer T130 10500lm 840 E40 SL	100-240	80	10,500	131	-	4000	80	E40	50,000	0.95	550	No	A++	4
0028376	ToLEDo Performer T130 13000lm 840 E40 SL	100-240	100	13,000	130	-	4000	80	E40	50,000	0.95	675	No	A++	4



Dimensions (mm)			
	Diameter (Ø)	Height (H)	Net Weight (Kg)
0028369	60	150	0.25
0028370	60	175	0.31
0028371	85	204	0.63
0028373	85	245	0.77
0028375	130	293	1.63
0028376	130	320	1.85





# ToLEDo™ Performer H-Series



H200 10,500lm



H230 15,500lm

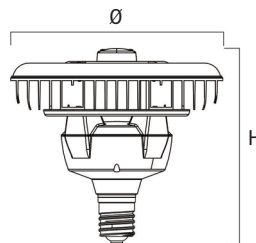
- Direct retrofit replacement for high-pressure mercury vapor lamps (HPMV)
- 50,000 hours average rated lifetime
- Up to 71% energy saving compared to the standard high-pressure mercury vapor lamps
- Detachable 3.5mm jack plug microwave sensor allow to adjust hold-time and standby brightness level
- Mercury-free solution
- Lower maintenance cost
- High lumen efficacy - up to 135lm/W
- Dual operating mode – compatible with HPMV magnetic ballast and also, suitable for AC direct mains 220-240V operation
- Up and down light distribution
- High surge voltage protection: 4kV
- Suitable for both open and enclosed luminaires.
- Wide light distribution.
- High switching cycles – 200,000X
- High colour rendering – CR180
- Minimum and maximum operating temperature: -30°C to 50°C

Code	Description	Voltage (V)	Fixture Power (W)	Luminous Flux (lm)	Efficacy (lm/W)	Luminous Intensity (cd)	Colour Temp (K)	CRI	Base	Average Rated Life (Hrs)	Power Factor	Equivalent Wattage (W)	Dimmable	Energy Class	Packaging Qty
<b>ToLEDo™ Performer H-Series</b>															
<b>0028377</b>	ToLEDo Performer H200 10500lm 840 E40 SL	220-240	80	10,500	131	-	4000	80	E40	50,000	0.95	550	Yes	A++	4
<b>0028378</b>	ToLEDo Performer H230 15500lm 840 E40 SL	220-240	115	15,500	135	-	4000	80	E40	50,000	0.95	800	Yes	A++	4

\* Preset dimming - only when used with microwave sensor

## Dimensions (mm)

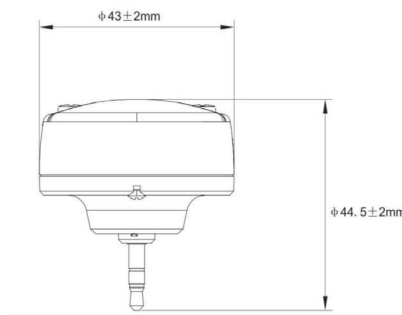
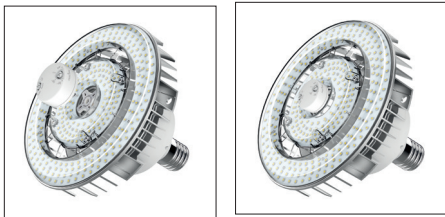
	Diameter (Ø)	Height (H)	Net Weight (Kg)
<b>0028377</b>	200	195	1.3
<b>0028378</b>	230	210	1.7



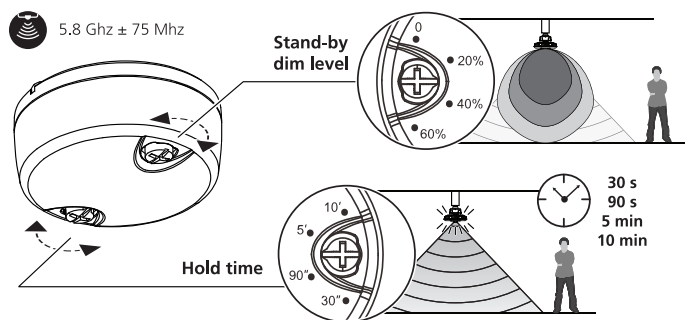
# ToLEDo™ Performer Microwave Sensor



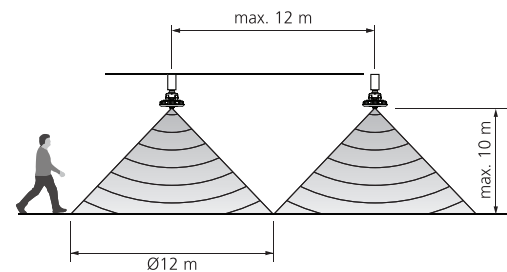
- The ToLEDo™ Performer H-Series can be used with or without microwave sensor
- Easy to install and remove
- Detachable 3.5mm jack plug
- Maximum detection diameter - 12 meters
- Maximum detection height - 10 meters
- Hold time means full light output and not in standby mode.
- Hold time settings - 30 secs, 90 secs, 5 mins and 10 mins
- Standby brightness settings - 0% (zero light output), 20%, 40% and 60%
- Only works with ToLEDo™ Performer H-Series



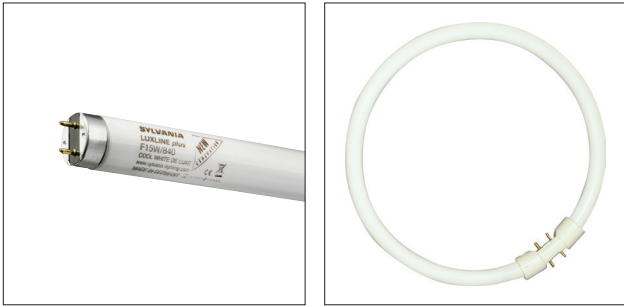
## ToLEDo™ Performer Microwave Sensor Functions



## ToLEDo™ Performer Microwave Sensor Range



# Traditional Lamps - Fluorescent



Code	Description	Voltage (V)	Fixture Power (W)	Luminous Flux (lm)	Colour Temp (K)	CRI	Base	Average Rated Life (Hrs)	Dimmable	Energy Class	Packaging Qty
<b>Fluorescent Lamps</b>											
0001850	F15W/T8/827	220-240	15	950	2700	85	G13	20,000	Yes	B	25
0001853	F15W/T8/830	220-240	15	950	3000	85	G13	20,000	Yes	B	25
0000566	F15W/T8/835	220-240	15	950	3500	85	G13	20,000	Yes	B	25
0000567	F15W/T8/840	220-240	15	950	4000	85	G13	20,000	Yes	B	25
0000947	F15W/T8/865	220-240	15	900	6500	85	G13	20,000	Yes	B	25
0000870	F16W/T8/T8/830	220-240	16	1200	3000	85	G13	20,000	Yes	A	25
0000872	F16W/T8/835	220-240	16	1200	3500	85	G13	20,000	Yes	A	25
0000871	F16W/T8/840	220-240	16	1200	4000	85	G13	20,000	Yes	A	25
0001475	F18W/T8/827 Ee N Me	220-240	18	1350	2700	85	G13	20,000	Yes	A	25
0001484	F18W/T8/830 Ee N Me	220-240	18	1350	3000	85	G13	20,000	Yes	A	25
0000580	F18W/T8/835	220-240	18	1350	3500	85	G13	20,000	Yes	A	25
0001476	F18W/T8/840 Ee N Me	220-240	18	1350	4000	85	G13	20,000	Yes	A	25
0001477	F18W/T8/865 Ee N Me	220-240	18	1300	6500	85	G13	20,000	Yes	A	25
0000874	F25W/28/T8/840	220-240	25	2000	4000	85	G13	20,000	Yes	A	25
0000876	F25W/30/T8/830	220-240	25	2200	3000	85	G13	20,000	Yes	A	25
0000877	F25W/30/T8/840	220-240	25	2200	4000	85	G13	20,000	Yes	A	25
0000878	F25W/33/T8/840	220-240	25	2300	4000	85	G13	20,000	Yes	A	25
0000879	F25W/33/T8/865	220-240	25	2100	6500	85	G13	20,000	Yes	A	25
0001077	F30W/T8/835	220-240	30	2400	3500	85	G13	20,000	Yes	A	25
0001080	F30W/T8/840	220-240	30	2400	4000	85	G13	20000	Yes	A	25
0001078	F30W/T8/865	220-240	30	2300	6500	85	G13	20,000	Yes	A	25
0001478	F36W/T8/827 Ee N Me	220-240	36	3350	2700	85	G13	20,000	Yes	A	25
0001485	F36W/T8/830 Ee N Me	220-240	36	3350	3000	85	G13	20,000	Yes	A	25
0000578	F36W/T8/835	220-240	36	3350	3500	85	G13	20,000	Yes	A	25
0001479	F36W/T8/840 Ee N Me	220-240	36	3350	4000	85	G13	20,000	Yes	A	25
0001480	F36w/T8/865 Ee N Me	220-240	36	3250	6500	85	G13	20,000	Yes	A	25
0001504	F36W/1M/T8/840	220-240	36	3100	4000	85	G13	20,000	Yes	A	25
0001481	F58W/T8/827 Ee N Me	220-240	58	5200	2700	85	G13	20,000	Yes	A	25
0001486	F58W/T8/830 Ee N Me	220-240	58	5200	3000	85	G13	20,000	Yes	A	25
0001394	F58W/T8/835	220-240	58	5200	3500	85	G13	20,000	Yes	A	25
0001482	F58W/T8/840 Ee N Me	220-240	58	5200	4000	85	G13	20,000	Yes	A	25
0001483	F58w/T8/865 Ee N Me	220-240	58	5000	6500	85	G13	20,000	Yes	A	25
0000581	F70W/T8/835	220-240	70	6200	3500	85	G13	20,000	Yes	A	25
0001094	F70W/T8/840 (184)	220-240	70	6200	4000	85	G13	20,000	Yes	A	25
0001095	F70W/T8/865	220-240	70	5800	6500	85	G13	20,000	Yes	A	25

# Traditional Lamps - Fluorescent

Code	Description	Voltage (V)	Fixture Power (W)	Luminous Flux (lm)	Colour Temp (K)	CRI	Base	Average Rated Life (Hrs)	Dimmable	Energy Class	Packaging Qty
<b>Fluorescent Lamps</b>											
0002930	14W/T5/830 FHE E	220-240	14	1200	3000	82	G5	24,000	Yes	A+	25
0002787	14W/T5/835 FHE	220-240	14	1200	3500	85	G5	24,000	Yes	A+	25
0002860	14W/T5/840 FHE E	220-240	14	1200	4000	82	G5	24,000	Yes	A+	25
0002935	14W/T5/865 FHE E	220-240	14	1100	6500	82	G5	24,000	Yes	A+	25
0002763	21W/T5/830 FHE	220-240	21	1900	3000	85	G5	24,000	Yes	A+	25
0002788	21W/T5/835 FHE	220-240	21	1900	3500	85	G5	24,000	Yes	A+	25
0002866	21W/T5/840 FHE E	220-240	21	1900	4000	85	G5	24,000	Yes	A+	25
0002765	21W/T5/865 FHE	220-240	21	1750	6500	85	G5	24,000	Yes	A+	25
0002931	28W/T5/830 FHE E	220-240	28	2600	3000	82	G5	24,000	Yes	A+	25
0002789	28W/T5/835 FHE	220-240	28	2600	3500	85	G5	24,000	Yes	A+	25
0002861	28W/T5/840 FHE E	220-240	28	2600	4000	82	G5	24,000	Yes	A+	25
0002936	28W/T5/865 FHE E	220-240	28	2400	6500	82	G5	24,000	Yes	A+	25
0002932	35W/T5/830 FHE E	220-240	35	3300	3000	82	G5	24,000	Yes	A+	25
0002790	35W/T5/835 FHE	220-240	35	3300	3500	85	G5	24,000	Yes	A+	25
0002862	35W/T5/840 FHE E	220-240	35	3300	4000	82	G5	24,000	Yes	A+	25
0002937	35W/T5/865 FHE E	220-240	35	3100	6500	82	G5	24,000	Yes	A+	25
0002772	24W/T5/830 FHO	220-240	24	1750	3000	85	G5	24,000	Yes	A	25
0002864	24W/T5/840 FHO E	220-240	24	1750	4000	82	G5	24,000	Yes	A	25
0002774	24W/T5/865 FHO	220-240	24	1600	6500	85	G5	24,000	Yes	A	25
0002775	39W/T5/830 FHO	220-240	39	3200	3000	85	G5	24,000	Yes	A+	25
0002792	39W/T5/835 FHO	220-240	39	3200	3500	85	G5	24,000	Yes	A+	25
0002867	39W/T5/840 FHO E	220-240	39	3200	4000	85	G5	24,000	Yes	A+	25
0002779	39W/T5/865 FHO	220-240	39	2900	6500	85	G5	24,000	Yes	A	25
0002933	49W/T5/830 FHO E	220-240	49	4350	3000	82	G5	24,000	Yes	A+	25
0002863	49W/T5/840 FHO E	220-240	49	4350	4000	82	G5	24,000	Yes	A+	25
0002938	49W/T5/865 FHO E	220-240	49	4100	6500	82	G5	24,000	Yes	A+	25
0002934	54W/T5/830 FHO E	220-240	54	4450	3000	82	G5	24,000	Yes	A+	25
0002865	54W/T5/840 FHO E	220-240	54	4450	4000	82	G5	24,000	Yes	A+	25
0002939	54W/T5/865 FHO E	220-240	54	4150	6500	82	G5	24,000	Yes	A	25
0002784	80W/T5/830 FHO	220-240	80	6350	3000	85	G5	24,000	Yes	A+	25
0002868	80W/T5/840 FHO E	220-240	80	6350	4000	85	G5	24,000	Yes	A+	25
0002786	80W/T5/865 FHO	220-240	80	6000	6500	85	G5	24,000	Yes	A	25

Code	Description	Voltage (V)	Fixture Power (W)	Luminous Flux (lm)	Colour Temp (K)	CRI	Base	Average Rated Life (Hrs)	Dimmable	Energy Class	Packaging Qty
<b>Fluorescent Lamps</b>											
0002901	Ecoline FHE 13W/T5/840	220-240	13	1150	4000	85	G5	24000	Yes	A+	25
0002925	Ecoline FHE 19W/T5/840	220-240	19	1900	4000	85	G5	24000	Yes	A+	25
0002909	Ecoline FHE 32W/T5/840	220-240	32	3100	4000	85	G5	24000	Yes	A+	25
0002914	Ecoline FHO 20W/T5/830	220-240	20	1650	3000	85	G5	24000	Yes	A+	25
0002913	Ecoline FHO 20W/T5/840	220-240	20	1650	4000	85	G5	24000	Yes	A+	25
0002918	Ecoline FHO 35W/T5/830	220-240	35	3250	3000	85	G5	24000	Yes	A+	25
0002917	Ecoline FHO 35W/T5/840	220-240	35	3250	4000	85	G5	24000	Yes	A+	25
0002921	Ecoline FHO 45W/T5/830	220-240	45	4200	3000	85	G5	24000	Yes	A+	25
0002920	Ecoline FHO 45W/T5/840	220-240	45	4200	4000	85	G5	24000	Yes	A+	25
0002923	Ecoline FHO 50W/T5/840	220-240	50	4450	4000	85	G5	24000	Yes	A+	25
0002927	Ecoline FHO 73W/T5/840	220-240	73	6150	4000	85	G5	24000	Yes	A+	25



# Traditional Lamps - Fluorescent

Code	Description	Voltage (V)	Fixture Power (W)	Luminous Flux (lm)	Colour Temp (K)	CRI	Base	Average Rated Life (Hrs)	Dimmable	Energy Class	Packaging Qty
<b>Fluorescent Lamps</b>											
0000003	F4W/T5/33-640	220-240	4	140	4000	64	G5	10,000	Yes	B	25
0000001	F4W/T5/54-765	220-240	4	125	6500	75	G5	10,000	Yes	B	25
0000014	F6W/T5/29-530	220-240	6	280	3000	53	G5	10,000	Yes	A	25
0000013	F6W/T5/33-640	220-240	6	280	4000	64	G5	10,000	Yes	A	25
0000011	F6W/T5/54-765	220-240	6	240	6500	75	G5	10,000	Yes	B	25
0000012	F6W/T5/35-535	220-240	6	280	3500	64	G5	10,000	Yes	A	25
0001911	F6WT5/840 25WAY Emergency	220-240	6	-	4000	81	G5	8000	Yes	A	25
0000382	F8W/T5/129	220-240	8	400	3000	53	G5	10,000	Yes	A	25
0000020	F8W/T5/35-535	220-240	8	400	3500	64	G5	10,000	Yes	A	25
0000021	F8W/T5/33-640	220-240	8	400	4000	64	G5	10,000	Yes	A	25
0000019	F8W/T5/54-765	220-240	8	340	6500	75	G5	10,000	Yes	B	25
0001905	F8W/T5/133/SP200 Emergency LAMP	220-240	8	-	4000	60	G5	8000	Yes	A	200
0001912	F8wt5/133 25way Emergency	220-240	8	-	4000	60	G5	8000	Yes	A	25
0001908	F8W/T5/154/SP200 Emergency Lamp	220-240	8	-	6500	75	G5	8000	Yes	A	200
0002738	F8W/T5/840	220-240	8	500	4000	82	G5	10,000	Yes	A	25
0001907	F8W/T5/840/SP200 Emergency Lamp	220-240	8	-	4000	82	G5	8000	Yes	A	200
0001913	F8WT5/840 25WAY Emergency	220-240	8	500	4000	82	G5	8000	Yes	A	25
0000032	F13W/T5/29-530	220-240	13	880	3000	53	G5	10,000	Yes	A	25
0000030	F13W/T5/35-535	220-240	13	880	3500	64	G5	10,000	Yes	A	25
0000031	F13W/T5/33-640	220-240	13	880	4000	64	G5	10,000	Yes	A	25
0000029	F13W/T5/54-765	220-240	13	750	6500	75	G5	10,000	Yes	A	25
0000073	F13W/T5/840	220-240	13	1000	4000	82	G5	10,000	Yes	A	25

Code	Description	Voltage (V)	Fixture Power (W)	Luminous Flux (lm)	Colour Temp (K)	CRI	Base	Average Rated Life (Hrs)	Dimmable	Energy Class	Packaging Qty
<b>Fluorescent Lamps</b>											
0000520	T5 Circline Plus 22W/830	220-240	22	1800	3000	80	2GX13	16,000	Yes	A	10
0000521	T5 Circline Plus 22W/840	220-240	22	1800	4000	80	2GX13	16,000	Yes	A	10
0000523	T5 Circline Plus 40W/830	220-240	40	3300	3000	80	2GX13	16,000	Yes	A	10
0000524	T5 Circline Plus 40W/840	220-240	40	3300	4000	80	2GX13	16,000	Yes	A	10
0000527	T5 Circline Plus 55W/830	220-240	55	4200	3000	80	2GX13	16,000	Yes	A	10
0000528	T5 Circline Plus 55W/840	220-240	55	4200	4000	80	2GX13	16,000	Yes	A	10

## Traditional Lamps - Incandescent



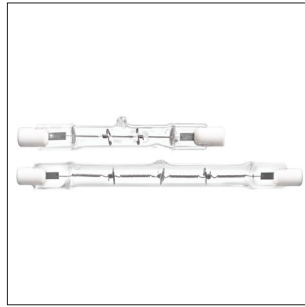
Code	Description	Voltage (V)	Fixture Power (W)	Luminous Flux (lm)	Colour Temp (K)	CRI	Base	Average Rated Life (Hrs)	Dimmable	Energy Class	Packaging Qty
<b>Incandescent Lamps</b>											
0007339	Pygmy Refrigerator lamp 15W 230-240V CL E14	220-240	15	110	2500	100	E14	1000	Yes	E	10
0008072	PYGMY oven lamp 15W 22mm 230-240V CL E14	220-240	15	105	2500	100	E14	1000	Yes	E	10
0008100	Pygmy lamp 15W 26mm CL 230-240V E14	220-240	15	100	2500	100	E14	1000	Yes	E	10
0008120	Pygmy lamp 25W 26mm CL 240-230V E14	220-240	25	225	2500	100	E14	1000	Yes	E	10

## Traditional Lamps - HID



Code	Description	Voltage (V)	Fixture Power (W)	Luminous Flux (lm)	Colour Temp (K)	CRI	Base	Average Rated Life (Hrs)	Dimmable	Energy Class	Packaging Qty
<b>HID Lamps</b>											
0020841	SHP 70W Basic Plus E27	-	70	6040	2000	20	E27	28,000	No	A+	12
0020839	SHP 100W Basic Plus E40	-	100	9500	2000	20	E40	32,000	No	A+	12
0020842	SHP 150W Basic Plus E40	-	150	16,000	2000	20	E40	32,000	No	A+	12
0020843	SHP 250W Basic Plus E40	-	250	29,000	2000	20	E40	32,000	No	A+	12
0020846	SHP-T 70W Basic Plus E27	-	70	6500	2000	20	E27	28,000	No	A+	40
0020838	SHP-T 100W Basic Plus E40	-	100	10,000	2000	20	E40	32,000	No	A+	12
0020847	SHP-T 150W Basic Plus E40	-	150	17,000	2000	20	E40	32,000	No	A+	12
0020848	SHP-T 250W Basic Plus E40	-	250	33,000	2000	20	E40	32,000	No	A++	12
0020849	SHP-T 400W Basic Plus E40	-	400	55,000	2000	20	E40	32,000	No	A++	12

# Traditional Lamps - Halogen



Code	Description	Voltage (V)	Fixture Power (W)	Luminous Flux (lm)	Colour Temp (K)	CRI	Base	Average Rated Life (Hrs)	Dimmable	Energy Class	Packaging Qty
<b>Halogen Lamps</b>											
0023849	Hi-PIN Eco G9 Capsule 240V 18W SV1	240	18	205	2800	100	G9	2000	Yes	D	10
0023493	Hi-PIN Eco G9 Capsule 240V 28W SV1	240	28	370	2800	100	G9	2000	Yes	D	10
0022845	Hi-PIN Eco G9 Capsule 240V 42W SV1	240	42	625	2800	100	G9	2000	Yes	D	10
0022847	Hi-PIN Eco G9 Capsule 240V 53W SV1	240	53	845	2800	100	G9	2000	Yes	D	10

Code	Description	Voltage (V)	Fixture Power (W)	Luminous Flux (lm)	Colour Temp (K)	CRI	Base	Average Rated Life (Hrs)	Dimmable	Energy Class	Packaging Qty
<b>Halogen Lamps</b>											
0021530	DE 78mm ECO 240V 48W R7S SV1	240	48	750	2900	100	R7s	2000	Yes	D	20
0021532	DE 78mm ECO 240V 80W R7S SV1	240	80	1400	2900	100	R7s	2000	Yes	D	20
0021534	DE 78mm ECO 240V 120W R7S SV1	240	120	2250	2950	100	R7s	2000	Yes	D	20
0021714	DE 118mm ECO 240V 120W R7S SV1	240	120	2250	2950	100	R7s	2000	Yes	D	20
0021716	DE 118mm ECO 240V 160W R7S SV1	240	160	3100	3000	100	R7s	2000	Yes	C	20
0021717	DE 118mm ECO 230V 230W R7S SV1	230	230	4800	3000	100	R7s	2000	Yes	C	10
0021718	DE 118mm ECO 240V 230W R7S SV1	240	230	4800	3000	100	R7s	2000	Yes	C	20
0021720	DE 118mm ECO 240V 400W R7S SV1	240	400	8800	3000	100	R7s	2000	Yes	C	20
0021619	DE 118mm ECO 120V 500W R7S SV1	240	500	8750	3000	100	R7s	2000	Yes	C	10

Code	Description	Voltage (V)	Fixture Power (W)	Luminous Flux (lm)	Colour Temp (K)	CRI	Base	Average Rated Life (Hrs)	Dimmable	Energy Class	Packaging Qty
<b>Halogen Lamps</b>											
0023780	CLECO Ball 240V 42W B22 SV1	240	42	625	2800	100	B22	2000	Yes	D	10
0021871	CLECO Tubular 240V 28W E14 SV1	240	28	370	2800	100	E14	2000	Yes	D	10
0023734	CLECO Bent Tip Candle 230V 18W E14 SV1	240	18	205	2800	100	E14	2000	Yes	D	10
0023847	CLECO Bent Tip Candle 240V 18W E14 SV1	240	18	205	2800	100	E14	2000	Yes	D	10
0023729	CLECO Bent Tip Candle 230V 28W E14 SV1	230	28	370	2800	100	E14	2000	Yes	D	10

# Traditional Lamps - Compact Fluorescent



Code	Description	Voltage (V)	Fixture Power (W)	Luminous Flux (lm)	Colour Temp (K)	CRI	Base	Average Rated Life (Hrs)	Dimmable	Energy Class	Packaging Qty
<b>Compact Fluorescent</b>											
0025881	Lynx-S 7W/827 G23 SLV 10 p	220-240	7	425	2700	82	G23	12,000	No	A	10
0025882	Lynx-S 9W/827 G23 SLV 10 P	220-240	9	600	2700	82	G23	12,000	No	A	10
0025883	Lynx-S 11W/827 G23 SLV 10	220-240	11	900	2700	82	G23	12,000	No	A	10
0025885	Lynx-S 7W/830 G23 SLV 10 p	220-240	7	425	3000	82	G23	12,000	No	A	10
0025886	Lynx-S 9W/830 G23 SLV 10 p	220-240	9	600	3000	82	G23	12,000	No	A	10
0025887	Lynx-S 11W/830 G23 SLV 10	220-240	11	900	3000	82	G23	12,000	No	A	10
0025889	Lynx-S 7W/840 G23 SLV 10 P	220-240	7	425	4000	82	G23	12,000	No	A	10
0025890	Lynx-S 9W/840 G23 SLV 10 P	220-240	9	600	4000	82	G23	12,000	No	A	10
0025891	Lynx-S 11W/840 G23 SLV 10	220-240	11	900	4000	82	G23	12,000	No	A	10
0025899	Lynx-SE 11W/830 2G7 SLV 10	220-240	11	900	3000	82	2G7	12,000	No	A+	10
0025902	Lynx-SE 9W/840 2G7 SLV 10	220-240	9	600	4000	82	2G7	12,000	No	A	10
0025903	Lynx-SE 11W/840 2G7 SLV 10	220-240	11	900	4000	82	2G7	12,000	No	A+	10
0025659	Lynx-LE 40W/840 10-WAY	220-240	40	3500	4000	82	2G11	20,000	Yes	A	10
0025660	Lynx-LE 55W/840 10-WAY	220-240	55	4700	4000	82	2G11	20,000	Yes	A	10
0025913	Lynx-D Superia 13W/840 G24d-1 SLV	220-240	13	900	4000	82	G24d-1	12,000	No	A	10
0025914	Lynx-D Superia 18W/840 G24D-2 SLV	220-240	18	1210	4000	82	G24d-2	12,000	No	A	10
0025911	Lynx-D Superia 26W/830 G24D-3 SLV	220-240	26	1800	3000	82	G24d-3	12,000	No	A	10
0025915	Lynx-D Superia 26W/840 G24D-3 SLV	220-240	26	1800	4000	82	G24d-3	12,000	No	A	10
0025925	Lynx-DE Superia 13W/840 G24Q-1 SLV	220-240	13	900	4000	82	G24q-1	12,000	No	A	10
0025922	Lynx-DE Superia 18W/830 G24Q-2 SLV	220-240	18	1200	3000	82	G24q-2	12,000	No	A	10
0025926	Lynx-DE Superia 18W/840 G24Q-2 SLV	220-240	18	1200	4000	82	G24q-2	12,000	No	A	10
0025923	Lynx-DE Superia 26W/830 G24Q-3 SLV	220-240	26	1800	3000	82	G24q-3	12,000	No	A	10
0025927	Lynx-DE Superia 26W/840 G24Q-3 SLV	220-240	26	1800	4000	82	G24q-3	12,000	No	A	10



## Traditional Lamps - Compact Fluorescent

Code	Description	Voltage (V)	Fixture Power (W)	Luminous Flux (lm)	Colour Temp (K)	CRI	Base	Average Rated Life (Hrs)	Dimmable	Energy Class	Packaging Qty
<b>Compact Fluorescent</b>											
0027801	Lynx-T 18W/830 GX24D-2 SLV	220-240	18	1210	3000	82	GX24d-2	12,000	No	B	10
0027802	Lynx-T 18W/840 GX24D-2 SLV	220-240	18	1210	4000	82	GX24d-2	12,000	No	B	10
0027812	Lynx-T 26W/840 GX24D-3 SLV	220-240	26	1800	4000	82	GX24d-3	12,000	No	A	10
0027855	Lynx-TE 26W/840 FSD	220-240	26	1800	4000	82	GX24q-3	12,000	No	A	10
0027858	Lynx-TE 32W/840 FSD	220-240	32	2400	4000	82	GX24q-3	12,000	No	B	10
0027861	Lynx-TE 42W/840 FSD	220-240	42	3200	4000	82	GX24q-4	12,000	No	B	10

Code	Description	Voltage (V)	Fixture Power (W)	Luminous Flux (lm)	Colour Temp (K)	CRI	Base	Average Rated Life (Hrs)	Dimmable	Energy Class	Packaging Qty
<b>Compact Fluorescent</b>											
0035020	MLFS V2 9W E14 840 SLV	220-240	9	450	4000	80	E14	12,000	No	A	10
0035023	MLFS V2 9W E27 840 SLV	220-240	9	450	4000	80	E27	12,000	No	A	10
0035012	MLFS V2 11W B22 827 SLV	220-240	11	560	2700	80	B22	12,000	No	A	10
0035003	MLFS V2 11W E27 840 SLV	220-240	11	560	4000	80	E27	12,000	No	A	10
0035025	MLFS V2 11W E14 865 SLV	220-240	11	570	6500	80	E14	12,000	No	A	10
0035004	MLFS V2 15W E27 827 SLV	220-240	15	810	2700	80	E27	12,000	No	A	10
0035013	MLFS V2 15W B22 827 SLV	220-240	15	810	2700	80	B22	12,000	No	A	10
0035006	MLFS V2 20W E27 827 SLV	220-240	20	1152	2700	80	E27	10,000	No	A	10
0035008	MLFS V2 20W E27 840 SLV	220-240	20	1152	4000	80	E27	12,000	No	A	10
0035017	MLFS V2 23W E27 865 SLV	220-240	23	1320	6500	80	E27	12,000	No	A	10
0035011	MLFS V2 23W E27 840 SLV	220-240	23	1380	4000	80	E27	12,000	No	A	10
0035208	Mini-Lynx Spiro 827 E14 12W SLV	220-240	12	600	2700	80	E14	10,000	No	A	10
0035217	Mini-Lynx Spiro 840 E27 15W SLV	220-240	15	900	4000	80	E27	10,000	No	A	10
0035203	Mini-Lynx Spiro 827 E27 35W SLV	220-240	35	2285	2700	80	E27	8000	No	A	10
0024944	Lynx Q 16W 827 GR8	220-240	16	1050	2700	82	GR8	10,000	No	B	10
0024946	Lynx Q 16W GR8 835	220-240	16	1050	3500	82	GR8	10,000	No	B	10
0024947	Lynx Q 16W GR8 840	220-240	16	1050	4000	82	GR8	10,000	Yes	B	10
0024989	Lynx QE 16W GR10Q 827	220-240	16	1050	2700	82	GR10q	10,000	Yes	A	10
0024991	Lynx QE 16W GR10Q 835	220-240	16	1050	3500	82	GR10q	10,000	Yes	A	10
0024992	Lynx QE 16W GR10Q 840	220-240	16	1050	4000	82	GR10q	10,000	Yes	A	10
0024997	Lynx QE 28W GR10Q 827	220-240	28	2050	2700	82	GR10q	10,000	Yes	A	10
0024999	Lynx QE 28W GR10Q 835	220-240	28	2050	3500	82	GR10q	10,000	Yes	A	10
0025000	Lynx QE 28W GR10Q 840	220-240	28	2050	4000	82	GR10q	10,000	Yes	A	10
0025003	Lynx QE 38W GR10Q 835	220-240	38	2850	3500	82	GR10q	10,000	Yes	A	10
0025004	Lynx QE 38W GR10Q 840	220-240	38	2850	4000	82	GR10q	10,000	Yes	A	10

## Traditional Lamps - Starter

Code	Description	Voltage (V)	Fixture Power (W)	Luminous Flux (lm)	Colour Temp (K)	CRI	Base	Average Rated Life (Hrs)	Dimmable	Energy Class	Packaging Qty
<b>Starter Lamps</b>											
0024420	Starter FS-11	220-240	4	-	-	-	-	-	-	-	25
0024421	Starter FS-22	120	4	-	-	-	-	-	-	-	25
0024445	Starter FS-11 5—way pack 70W	220-240	70	-	-	-	-	-	-	-	5



---

## Notes



# SYLVANIA



Feilo Sylvania UK Ltd.  
Avis Way, Newhaven  
East Sussex, BN9 0ED  
T. +44 (0)800 440 2478  
E. [info.uk@sylvania-lighting.com](mailto:info.uk@sylvania-lighting.com)



Although every effort has been made to ensure accuracy in the compilation of the technical detail within this publication, specification and performance data are constantly changing. Current details should therefore be checked with Feilo Sylvania Europe Limited.

Copyright Feilo Sylvania Europe Limited January 2020  
CAT6495

[sylvania-lighting.co.uk](http://sylvania-lighting.co.uk)

A Feilo Sylvania Company